



01235 512500

sales@actionsealtite.com

www.actionsealtite.ae



Ultimate Guide to Camlock Fittings

FLUID HANDLING FOR TODAY'S ENVIRONMENT



Protect the environment, your operators and your precious commodities

5	Introduction
6	What is a Camlock Fitting?
7	How Does a Camlock Work?
7	How To Measure The Dimensions Your Camlock
7	How To Measure Your Camlock
8	Common Questions
8	- How Do I Choose The Right Camlock Fitting?
8	- To What Standard Are Camlocks Manufactured?
8	- European Standard
9	- Are Camlocks Interchangeable?
9	- Are There Any Limitations?
9	- Why You Need High Quality Camlocks
10	Camlock Fittings
10	- Snaplock®
10	- Snaplock® Specifications
11	Snaplock® Aluminium - T6 Heat Treatment
11	- Phase One – Quenching
11	- Phase Two – Heating & Cooling
12	Snaplock® Heat Marked & Certified
12	- Snaplock® Traceability
13	- Certification
13	- Why Do We Need 3.1 Certification?
14	Snaplock® Accessories & Spares
14	- Snaplock® Technical Specifications
15	Gaskets & Seals
15	- Gaskets & Seals Technical Specification
16	R Clips For Camlocks 17 Saflok®
17	Camlock Fittings
17	- Saflok® Technical Specification

Table Of Contents



18	EcoCam Camlock Fittings
18	- EcoCam Technical Specification
19	- EcoCam Features & Benefits
19	- EcoCam Applications
20	Special Camlocks
20	- Undercut DIN 2828
20	- Undercut DIN 2828 Technical Specification
20	- Camlocks with Flanges
20	- Camlocks Flanges Technical Specification
21	- No Threads Camlocks
21	- No Thread Camlock Technical Specification
21	- Spiral Tail Camlocks
21	- Spiral Tail Camlocks Technical Specification
22	- Smooth Tail Coupling EN14420-7 (DIN2828)
22	- Smooth Tail Technical Specification
23	Safety Bumps For Camlock Fittings
23	- Safety Bumps Technical Specification
23	Safety Locks for Camlock Fittings
23	- Safety Locks Technical Specification
24	Camlocks for IBCs
25	Camlock Coatings
25	- ECTFE
25	- PFA
25	- PTFE
25	- PVDF
26	Camlock Safety & Preventative Maintenance

Part Two - Technical Data

28 Snaplock® & EcoCam Dimensions

32 Camlocks for IBC Specifications

33 Chemical Compatibility Chart

34 - Chemical Compatibility Chart: Ammonium Chloride Dry - Caustic Potash

35 - Chemical Compatibility Chart: Caustic Soda - Gelatin

36 - Chemical Compatibility Chart: Glucose - Methylene Chloride

37 - Chemical Compatibility Chart: Methynol - Potassium Chloride

38 - Chemical Compatibility Chart: Potassium Cyanide - Stearic Acid

39 - Chemical Compatibility Chart: Stoddard Solvent - Zinc Nitrate Sulphate

40 EcoCam Camlock Fittings Specifications

41 EcoCam Camlock Fittings

46 Gaskets & Seals Specifications

49 Material Certifications - Example

52 Safety Bumps & Locks Specifications

53 Saflok® Couplers Specifications

55 Snaplock® Camlock Fittings Specifications

70 Snaplock® Handles Rings & Pins Specifications

71 Special Camlocks

71 - Part AU Snaplock Adaptor with Undercut Female Thread DIN 2817

71 - Part AU Snaplock Adaptor with Undercut Female Thread DIN 2817

71 - Part DU Snaplock Coupler with Undercut Female Thread DIN 2817

72 - Part C Snaplock Adaptor DIN 2828 Smooth Hose Tail Smooth Tail

72 - Part E Snaplock Coupler DIN 2828 Smooth Hose Tail

72 - Part F Male Adaptor by Butt Weld End

Introduction

This guide has been created in order to provide a comprehensive overview of the whole range of camlock fittings available, the associated accessories and their uses all in one place.

It's aim is to provide you with everything you need to know about selecting the right fitting, understanding application and maintenance.



PART A
Adaptor with Female Thread



PART B
Coupler with Male Thread



PART C
Coupler with Hose Tail



PART D
Coupler with Female Thread



PART E
Adaptor with Hose Tail



PART F
Adaptor with Male Thread



PART DP
Dust Plug for Couplers



PART DC
Dust Cap for Adapters

Ultimate Camlock Guide

What is a Camlock Fitting?

A camlock fitting, also called a cam and groove coupling, is used to connect two hoses and or pipes together in a variety of industries, so that a commodity from one can be transferred to the other. They're easy to use, requiring no tools to connect and disconnect the two halves of the couplings and they replace the traditional time-consuming methods of some other types of hose or pipe connections. This, together with their cost effectiveness makes them the most popular coupling in the world.

You typically find camlocks in use in every industry, such as manufacturing, agriculture, oil, gas, chemical, pharmaceutical and within military applications. They're an extremely versatile product, and because there are no threads when connecting the coupling halves together, there are no issues with them becoming damaged or dirty. This means camlock couplings are very suitable for dirty environments. The system is especially well suited to a situation where frequent changes of hoses are required, such as for petroleum, and industrial chemical trucks.



Ultimate Camlock Guide

How Does a Camlock Work?

1. The assembly consists of a male groove adapter and female coupler. To connect and disconnect:
2. Extend the handles on the coupler outwards and place the correct size male adapter into the female coupler
3. Close both handles at the same time until the two halves are firmly fixed together
4. Closing both handles at the same time insures that the grooved adapter is pulled down consistently onto the seal making a leak proof assembly for the safe transfer of liquids
5. Reverse the process to disconnect the fitting making sure before doing so that the hose assembly has been depressurised.



How To Measure The Dimensions Your Camlock

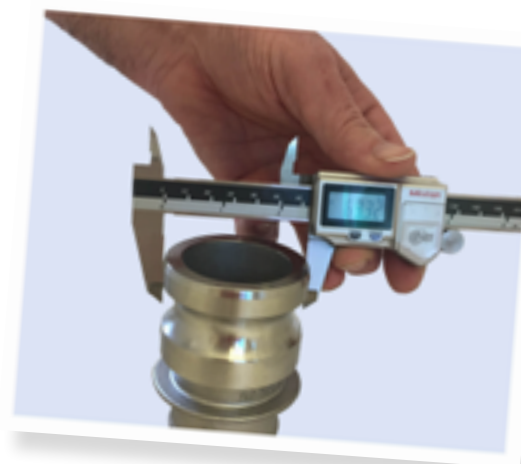
Measuring a metallic camlock fitting is reasonably easy. For instance, if the hose tail, male or female thread is 2" then the camlock coupling would be known as a 2" camlock coupling.

Polypropylene is slightly different. There is no international standard and different manufacturers have different head sizes. In the 1/2" size, the body is actually 3/4" but its the thread (or hose tail) that is 1/2". There are also some anomalies in the 1 1/4" sized systems.

With most cam couplings, measure the Outside Diameter (OD) of the adapter head or the Inside Diameter (ID) of the coupler. This will identify the fitting size, as depicted in the images bellow.



sales@actionsealtite.com



www.actionsealtite.ae

+44 (0) 1235 512500

Common Questions

How Do I Choose The Right Camlock Fitting?

When specifying a fitting, there are seven fields of information required. The acronym for this is STAMPED, which stands for:

S – Size

T – Temperature

A – Application

M – Material (or media being used)

P – Pressure rating required

E – End fittings & connections (thread type)

D – Delivery (any extras such as material certs)

[For more on STAMPED, please check our blog post here](#)

To What Standard Are Camlocks Manufactured?

The standard for cam & groove couplings is based on the US military specification Mil-C-27487 now superseded by A-A-59326D. The original specification was replaced by the new standard, but still guaranteed the interchangeability of couplings designed to the same specification. The Mil-C-27487 specified the casting methods, materials, dimensions, tolerances, pressure ratings, and inspection procedures.

European Standard

The European standard EN 14420-7 was approved by CEN in September 2004 and was applied to cam & groove couplings manufactured to the American military standard as outlined above. This American standard does not apply to the hose connection side, but only to the coupling side.

Camlock fittings produced to EN 14420-7 are interchangeable with those produced to the original MIL-C-27487 standard, but differ in terms of hose tail design, thread, and part number. A flat thread seal has been added to the female threaded parts and a smooth hose shank complying with EN 14420-7/DIN 2828 has been added for assembly with safety clamps complying with EN 14420-3/DIN 2817.

Are Camlocks Interchangeable?

Between manufacturers, cam & groove couplings are interchangeable with the exception of ½” (12.5mm), 5” and 8”. The A-A-59326A Mil Specification does not apply to 5” and 8” cam & groove couplings due to the presence of two versions of cam & groove couplings in today’s market.

Are There Any Limitations with Using Camlocks in Assemblies?

Hose shanks with larger serrations are not designed to be assembled with a ferrule or sleeve. If swagged, this can result in permanent damage to the hose where larger shank serrations will cut into the inner wall of the hose. This results in leakage and/or permanent hose failure.

Note: Cam & groove couplings must never be used for steam or compressed air applications.

Check [Airline Fittings](#) and [Air Pressure Fittings](#) for compressed air, an [Steam Fittings](#) for steam applications.

Why You Need High Quality Camlocks

There are numerous manufacturers around the world, all of which you would imagine would produce these couplings to one of the accepted standards, but experience tells us that this is not always the case.

Problems frequently arise when attempting to use one coupler half from one manufacturer with the other half made by another manufacture. This is not normally the case if the manufacturers are in North America or Europe, where the products are normally manufactured to an accepted certified specification. However cheap copies use less materials in the construction of the coupling and as a result will not last as long. Some are even being made from reused scrap material. In addition their manufacturing process often involves manually drilling-out the fitting so consistency is often a problem, leading to couplings that do not always connect together properly.

Products supplied from reputable manufacturers are designed to be used in rugged situations and if maintained correctly will give a long life, and in the case of Stainless Steel, the materials can be traced.

Camlock Fittings

This section outlines the different brands and types of fittings available. All of these products are readily available from Action Sealtite and other suppliers.

Snaplock®

Snaplock® couplings are capable of carrying liquids, powders and granules, although it should be noted they are not suitable for applications involving compressed air. A different range of specialist fittings are available for [airlines using compressed air](#) and [air pressure applications](#).

Every Snaplock® cam is made to industry standard which ensures that the complete Snaplock® range is interchangeable with other camlocks made to the same standard (A-A-59326D, EN14420- & formally the MIL-C-27487). This means you don't have to worry about compatibility or replacing more than one part at a time.

Snaplock® fittings are a quick release coupling system for low to medium pressures. They are used as a means of connecting and disconnecting hose lines swiftly and without the use of hand tools. They replace the old style threaded couplings, which featured both male and female threads and that required screwing together and tightening with a lug spanner in order to securely make or break lines. Snaplock® camlocks are most commonly used within agriculture or manufacturing industries for the safe, clean transfer of a variety of fluids.

Snaplock® Specifications

Snaplock® comes in a range of materials, so whether it is an Aluminium, Stainless Steel, Polypropylene or a Brass Camlock you are looking for, we can help fulfil your requirements in a range of sizes from ½" – 6" (polypropylene only available up to 4", and excludes 2 ½"). Larger fittings are also available on request.

Snaplock® Couplings come with a range of seals, including Nitrile, EPDM, Viton, Neoprene, and FEP/Silicone encapsulated.

Snaplock® Aluminium - T6 Heat Treatment

A key element of providing the highest quality camlock fittings is ensuring that the material used in the manufacturing is the strongest and most robust. This leads to longer life products that can withstand even the toughest of applications.

T6 Heat Treatment offers an increase in hardness to Aluminium, Copper or Silicon alloys. It is a two-phase process that can increase the strength of the alloy by as much as 30%.

Phase One – Quenching

The alloy is heated to 500°C for about 10 hours which causes the copper to dissolve in the aluminium. Next, the alloy is rapidly cooled in water, supersaturating the aluminium with copper, which creates the Single Phase Alloy.

Phase Two – Heating & Cooling

Next, the alloy is heated to 180°C for 10 hours, before it is air-cooled which allows precipitation hardening. This process forms copper aluminium crystalline structures, the size of which will dictate the strength. In general, the smaller the crystals the stronger the alloy becomes.

When it comes to camlock couplings, the majority of assembly failures are as a direct result of using untreated, lower grade camlock couplings. The T6 Heat Treatment ensures that couplings can withstand the rigors of swagging and crimping on the hose.

Call Action Sealtite on 01235 512500

sales@actionsealtite.com

www.actionsealtite.com

Snaplock® Stainless Steel - Heat Marked & Certified

In the past when a company requested full traceability of a cam coupling they would have to be specially made. As a result long lead times and high cost would have been involved. Snaplock® cam couplings are manufactured with a specific heat number, which allows all Stainless Steel cam couplings to be traced back to the raw material, used in the manufacturing process.



Snaplock® Traceability

Some industries including Offshore Oil & Gas, Chemical and Pharmaceutical manufacturing need to be sure that the cam couplings are manufactured using the correct grade of material as using the wrong material or grade could have multiple consequences if incorrect.

In order to ensure traceability, each camlock is marked with a specific and unique reference number, which is etched onto the body of the fitting. If required, this allows the product to be traced back to the raw material used in manufacture.

Call Action Sealtite on 01235 512500

sales@actionsealtite.com

www.actionsealtite.com

Certification

Snaplock® Stainless Steel camlocks can be supplied with a 3.1 Material Certificate, at the point of order. The certificate guarantees the grade of the Stainless Steel and provides traceability. The standard for inspection documents for Stainless Steel (and some other products) is BS EN 10204 type 3.1. The certificate enables manufacturers to demonstrate compliance with a customer's order, using results from specific test and inspections. This is especially relevant when Health & Safety is of key importance to the assembly or for Quality Assurance due diligence.

Why Do We Need 3.1 Certification?

A 3.1 material certificate is vital to ensure that you are getting the material grade you requested, we have encountered situations where some manufacturers are supplying 304 Stainless Steel as 316 in order to keep the cost of the product down.



[Go to Certificate Examples](#)

Snaplock® Accessories & Spares

To keep your cam couplings in good working order regular inspection and replacement of worn parts is required. As a result, there is a full range of spares available including seals, handles, pins and rings. It is always best to use spares from the same manufacturer as the couplers you wish them to fit to.

Snaplock® Technical Specifications

- Handles are available in 304 Stainless Steel for all Brass, Stainless Steel & Polypropylene cams
- Brass Handles are fitted as standard to all Aluminium couplings
- Finger Rings are fitted to all sizes of handles
- Finger Rings are Zinc Plated Mild Steel on Aluminium, Brass and Polypropylene couplings
- Pins are 304 Stainless Steel on all materials of couplings



Locking arms are available separately for dust caps. Use these with a padlock for security.

[Go to Snaplock® Technical Data Sheets](#)

Gaskets & Seals

Buna Nitrile is the standard gasket/seal supplied & fitted to all metal camlocks and ribbed santoprene for polypropylene camlocks. However, there is a wide range of seal compounds available depending on the media being conveyed through the couplings. These include EPDM, Viton, PTFE/ Buna envelope seals, PTFE/Viton envelope seals, as well as Neoprene. For applications requiring something more exotic FEP/Silicone fully encapsulated seals are available for chemical applications.

Gaskets & Seals Technical Specification

- Standard Gaskets for metallic couplings are BUNA Nitrile
- For Polypropylene Snaplock couplings, standard gaskets are Ribbed Santoprene
- Various materials are available including Buna, EPDM, Viton, Teflon Buna, Teflon Viton, & Neoprene
- FEP/Silicone fully encapsulated seals also available for hazardous chemicals



[Go to Seals & Gaskets Technical Data Sheets](#)

[Go to Chemical Compatibility Chart](#)

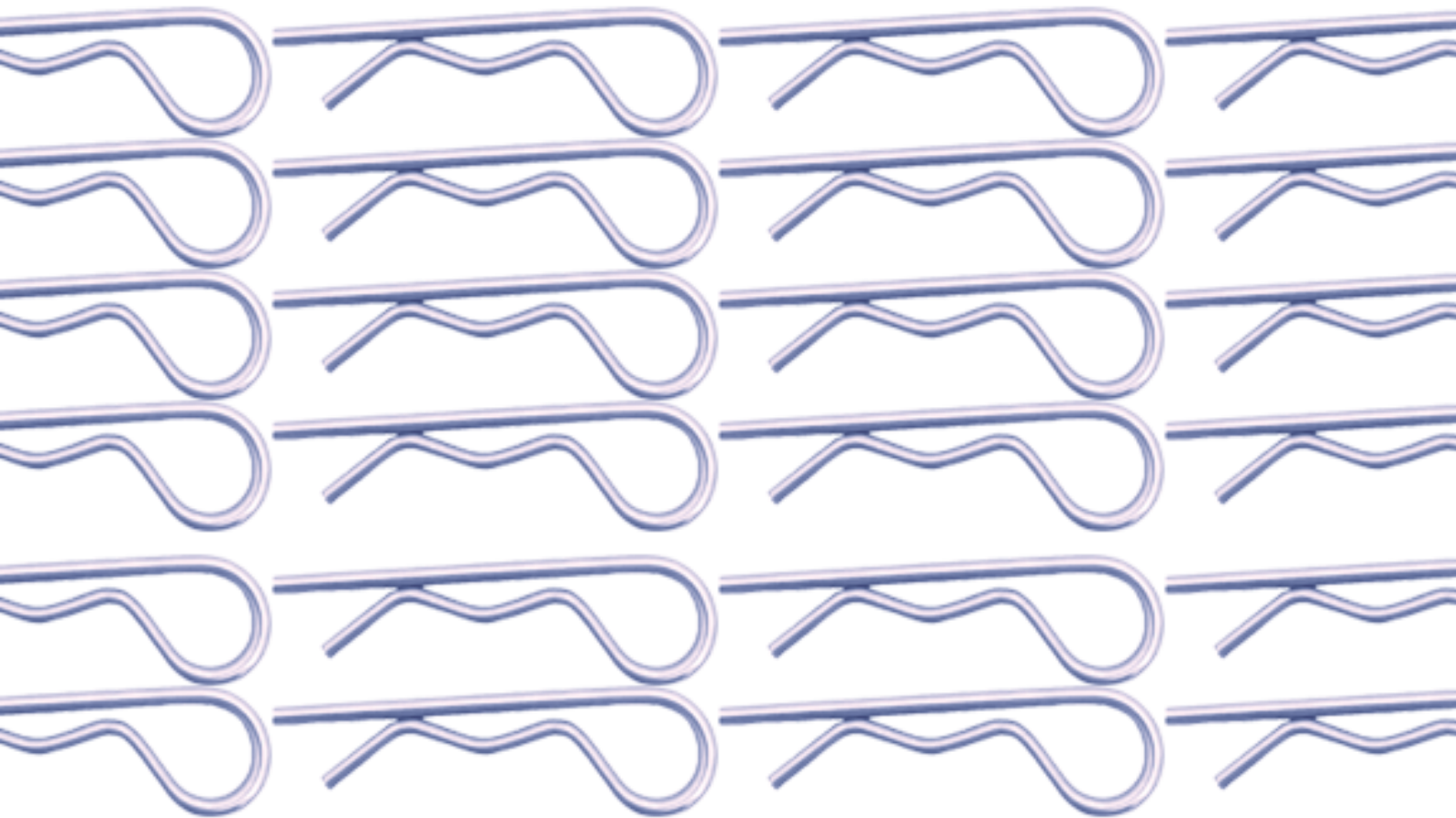
Call Action Sealtite on 01235 512500

sales@actionsealtite.com

www.actionsealtite.com

R Clips For Camlocks

R Clips are designed as an option to be used with cam couplers to prevent the inadvertent disconnection of the coupling assembly. Once the adapter has been connected to the coupler the R clip can be pushed through a hole behind the handle stopping the handle from becoming loose. R Clips are used as an added safety device, essentially allowing you to fix the two halves of a camlock together and to stop them from catching on something or working themselves loose.



Call Action Sealtite on 01235 512500

sales@actionsealtite.com

www.actionsealtite.com

Saflok® Camlock Fittings

The Saflok® is a camlock fitting with automatic locking arms that has been designed to help prevent the inadvertent disconnection, which would result in spillage. This is of particular importance if the media is of high-value or hazardous liquid chemicals. This modified camlock fitting features an automatic locking system built directly into the cam arms. This enables it to be used like a standard camlock with a standard adapter but with the additional peace of mind that it locks securely into place and cannot be accidentally opened once closed.

Saflok® Technical Specification

- Can be fitted to any standard cam coupler (available as Part B, Part C, Part D & Part DC)
- Material: Stainless Steel with Buna Nitrile Seals (other seals are available on request)
- Sizes ½” to 4” with BSP thread



The image shows the easy to use locking mechanism of Saflok®
Saflok® products are available with heat marking on request.

[Go to more information on heat markings](#)

[Go to Saflok® Technical Data Sheets](#)

Call Action Sealtite on 01235 512500

sales@actionsealtite.com

www.actionsealtite.com

EcoCam Camlock Fittings

EcoCam is range of 'unbranded' cam couplings and make a great option for those companies wanting a more cost effect product where a less heavy-duty fitting is required. The EcoCam fittings were introduced to complement the substantial range of Snaplock fittings. They are a more lightweight fitting, but crucially still interchange with Snaplock since they are made to the same standard.

Developed and distributed exclusively by Action Sealtite, EcoCam has fulfilled the need for a more basic style of camlock made to the same MIL specifications as the top named brands. Notable features of the EcoCam range are its ease of use and its ability to provide a cost effective solution to basic Camlock fitting requirements. Unlike Snaplock, it is limited to less critical applications and less mechanical stress, but if all you need is a fitting for lighter applications, this is an ideal cost-effective solution.

EcoCam Technical Specification

- Available in Aluminium, Stainless Steel & Polypropylene
- Available in sizes 1/2" – 4"
- Seals are made from Buna Nitrile
- Maximum Allowable Working Pressures: 4-10 Bar
- Suitable for liquids, powders & granules
- Interchangeable with various other camlocks
- Passed the Action Three Point Quality Control checks

Call Action Sealtite on 01235 512500

sales@actionsealtite.com

www.actionsealtite.com

EcoCam Features & Benefits

- Our quality assurance processes guarantee the standard of EcoCam products, so you can always rely on a great fitting at a lower price.
- Competitively priced and available from stock
- Straight-through connection
- Light-weight
- Economical

The various materials available allow for this range to cater for a number of different applications.

EcoCam Applications

- Designed for light to medium duty applications
- Designed for pipe, hose, tubing & tanks
- Can be used for conveying chemicals, cosmetics, food & drink

[Go to EcoCam Technical Specification Data Sheets](#)



Call Action Sealtite on 01235 512500

sales@actionsealtite.com

www.actionsealtite.com

Special Camlocks

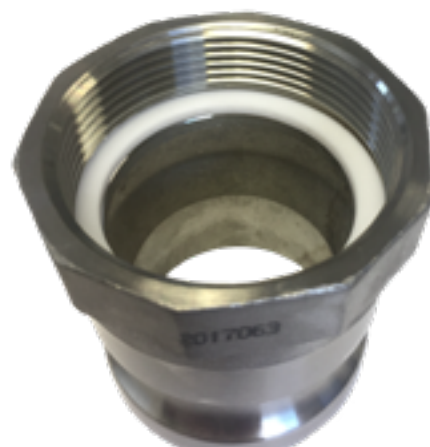
Special camlocks are available for non-standard applications. This section provides an overview of the less common camlock fittings and where they are used.

Undercut DIN 2828

The Undercut DIN 2828 is used for when the male thread on the hose is parallel and offers an undercut at the base of the thread as well as a gasket on which the male thread sits on. Each coupling is available with an undercut at the base of the thread and a gasket on which the male thread seals.

Undercut DIN 2828 Technical Specification

- Available in Aluminium and 316 Stainless Steel
- Available in sizes from 1/2" to 4"
- Straight through leak proof connections, no tools required to connect
- Gaskets: Vulkolan in Aluminium, PTFE in Stainless Steel



Undercut DIN2828 with Seal.
All AU parts are BSP Female Parallel Thread with Undercut Seal.

Camlocks with Flanges

Couplings are available with flanged ends so that the quick release system can be introduced without the necessity for major restructuring of the pipework.

Camlocks Flanges Technical Specification

- Available in many sizes depending on variation required
- Can be made to any flange specification



No-Thread Camlocks

No-thread couplings are available for applications, which require weld ends. We offer a Part B camlock with a male end with no thread, and a Part F adapter with male end with no thread.

No-Thread Camlock Technical Specification

- Available in Aluminium and 316 Stainless Steel
- Available in sizes from ½” to 4”
- No tools required to connect
- Part A & Part D Suitable for Socket Ends
- Part B & Part F is Suitable for Butt Welds



Spiral Tail Camlocks

For composite hoses, couplings with spiral and helical tails can be matched against the internal wire helix used in the hose construction. This enables the couplings to be screwed into the composite hose and secured by means of a swagged ferrule.

Spiral Tail Camlocks Technical Specification

- Available in Aluminium or Stainless Steel
- Available in sizes 2”, 3”, and 4”
- No tools required to connect



Smooth Tail Coupling EN14420-7 (DIN2828)

The smooth tail of the Part C and the Part E coupling has an annular collar which enables the BS EN14420-3 clamp, which has a lip to engage behind the collar, reducing the risk of hose blow-off. BS EN14420-3 clamps are ordered separately. They are a streamline design and bolts sit in a recess, which leaves no projections to snag or injure an operator.

Smooth Tail Technical Specification

- Available in Brass, Stainless Steel & Polypropylene
- Available in sizes ¾" to 3"
- Clamps are available in Aluminium, Brass and Stainless Steel



[Go to Special Camlock Fittings Technical Data Sheets](#)

Call Action Sealtite on 01235 512500

sales@actionsealtite.com

www.actionsealtite.com

Safety Bumps For Camlock Fittings

Safety Bumps are mechanisms designed to prolong the life of the Camlock and keep the hose assembly clean when not in use and help prevent spills. Safety Bumps are designed to make hoses easier to handle and are suitable for general industrial and chemical use. They are designed to protect the hands of the operators and extend the life of the hose assembly by ensuring that the coupling at the end of the hose is protected.

Safety Bumps Technical Specification

- Available in sizes 2"-4"
- Made from glass filled composite with antistatic additive
- Available in food grade certificate composite



Safety Locks for Camlock Fittings

Safety locks are designed to help eliminate spills caused by the camlock arms inadvertently opening during operation. They are an alternative to more expensive solutions such as locking handles ([see Accessories & Spares](#)) and are easy to install and easy to remove.

Safety Locks have a heavy-duty clip, which clicks into place over the handles.

Safety Locks Technical Specification

- Available in sizes 2"-4"

[Go to Safety Bumps & Locks Technical Data Sheets](#)



Camlocks for IBCs

An Intermediate Bulk Container (IBC), sometimes called an IBC tote, or pallet tank, is a reusable industrial container designed for the transportation and storage of bulk liquid and granulated substances, such as chemicals, agricultural feed, food ingredients, solvents, pharmaceuticals, or cosmetics.

IBCs incorporate a pallet, which makes them easy to move with either a jack or a forklift, and because they are cube, they can be efficiently stacked on top of each other. There is a valve at the base of the IBC, which is where a hose can be attached for the transfer of the media.

The IBC tap or valve can be converted to a range of threads making it compatible with almost any hose or fitting. The majority of IBC fittings come in polypropylene and are therefore compatible with a range of chemical applications. There are also Stainless Steel options available, so it is important to check what your requirements are before speaking with us and we should therefore be able to provide the right solution.

Most IBC containers incorporate a plug valve, which terminates in a buttress male thread (usually measuring S60x6), although different manufacturers produce IBCs with different sized valve threads. A wide range of IBC adapters can be screwed to adapt to either a cam system, with a male thread, a female thread or a hose tail. We also supply a range of special 'step down' adapters if required.



For more information on the different types of fittings that are available for IBCs and how to measure the thread on the valve on your tank check our [IBC Fittings guide video](#).



Camlock Coatings

Sometimes, standard camlock materials, like stainless steel are not sufficiently resistant to extremely aggressive chemicals. However, some cam couplings can be supplied with high-resistance coatings such as, ECTFE, PFA, PTFE and PVDF.

ECTFE

These coatings are designed to resist highly concentrated and aggressive chemicals. Couplings with an ECTFE coating show excellent electric isolating and fire properties and resist to temperatures up to 150C.

PFA

The key quality of a PFA is that the temperature resistance is up to 260C. This effective anti-adhesive layer makes PFA coatings particularly well suited to food and pharmaceutical industry applications.

PTFE

These couplings can withstand temperatures of up to 260C. Like PFA coated couplings, these ones have excellent anti-adhesive qualities and are suitable for food industry applications.

PVDF

Resistant to highly concentrated and aggressive chemicals and has the advantage of high temperature resistance up to 260C. These couplings are wear-proof and also suitable for food industry applications.



Camlock Safety & Preventative Maintenance

We recommend that you have a robust maintenance schedule that allows you to check your camlocks regularly. The camlock fittings have moving parts that are subject to wear and tear. As such, they should be regularly checked and worn parts should be replaced where needed. Replacing worn parts significantly increases the life of your products and ensures that health & safety considerations are met.

[Go to Accessories & Spares Section for a Range of Replacement Camlock Parts](#)

[Go to Accessories & Spares in Technical Data](#)

Call Action Sealtite on 01235 512500

sales@actionsealtite.com

www.actionsealtite.com

Call Action Sealite on 01235 512500

sales@actionsealite.com

www.actionsealite.ae

Part Two Technical Data



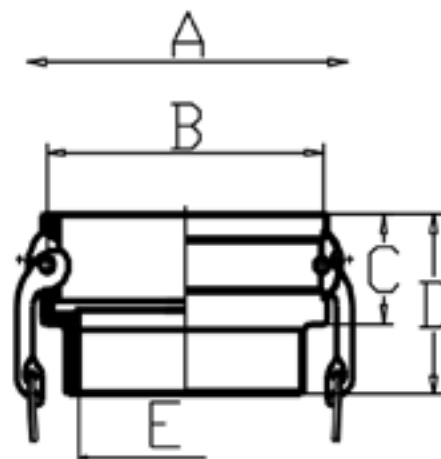
Ultimate Guide to Camlock Fittings

FLUID HANDLING FOR TODAY'S ENVIRONMENT

Snaplock® & EcoCam Dimensions

Dimension (mm)

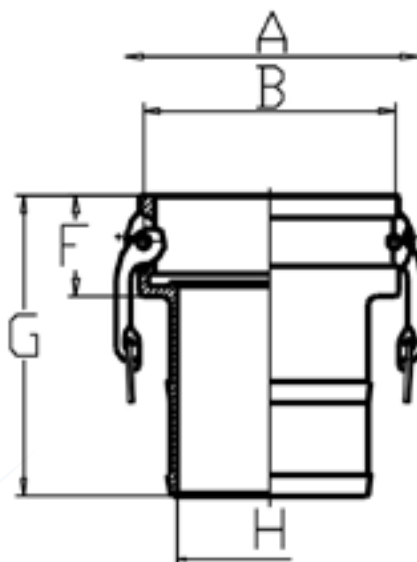
Camlock Size	A	B	C	D	E
1/2"	101.2	32	28	43	14.1
3/4"	120.46	41.2	32	48	19
1"	125.26	46	37.3	56.9	25.2
1 1/4"	184.2	56.25	43	63.5	32.7
1 1/2"	191.5	63	43.4	63.9	38.6
2"	201.1	75	50.5	74	49.85
2 1/2"	229.72	87.2	52	83	63.2
3"	257.6	102.5	53.5	86	77.1
4"	276.4	131.31	56.8	93.3	101.7
5"	369.1	162	58.5	97.5	127
6"	406	194	61.5	105	152
8"	455.6	254	68.4	118.4	190



Part B Camlock

Dimension (mm)

Camlock Size	A	B	F	G	H
1/2"	101.2	32	28	62.6	8
3/4"	120.46	41.2	32	84	14.2
1"	125.26	46	37.3	93.3	20.8
1 1/4"	184.2	56.25	43	99	26.5
1 1/2"	191.5	63	43.4	104.4	31.75
2"	201.1	75	50.5	120.35	44
2 1/2"	229.72	87.2	52	132	57
3"	257.6	102.5	53.5	154.5	68.8
4"	276.4	131.31	56.8	162.8	93.2
5"	369.1	162	58.5	177.1	118.9
6"	406	194	62.1	233.1	144.4
8"	455.6	254	68.4	248.4	190



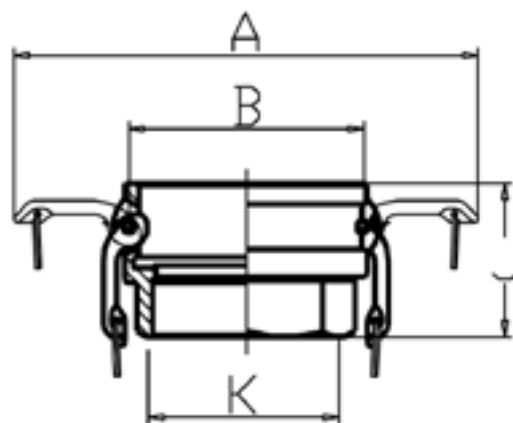
Part C Camlock

Ultimate Camlock Guide

Snaplock® & EcoCam Dimensions

Dimension (mm)

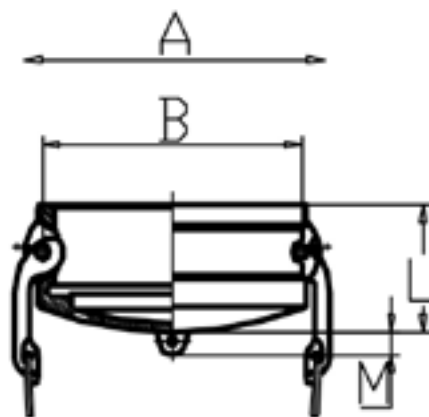
Camlock Size	A	B	J	K
1/2"	101.2	32	42.5	25.4
3/4"	120.46	41.2	48	31.4
1"	125.26	46	56.7	38
1 1/4"	184.2	56.25	63.5	47
1 1/2"	191.5	63	63.9	54.3
2"	201.1	75	72	67.3
2 1/2"	229.72	87.2	80	80.4
3"	257.6	102.5	82.5	95
4"	276.4	131.31	94.3	122
5"	369.1	162	92.7	148.5
6"	406	194	99.1	176.4
8"	455.6	254	120.4	247



Part D Camlock

Dimension (mm)

Camlock Size	A	B	L	M
1/2"	101.2	32	29	8
3/4"	120.46	41.2	33	8
1"	125.26	46	38.5	8
1 1/4"	184.2	56.25	45	8
1 1/2"	191.5	63	45.4	9
2"	201.1	75	52.5	9
2 1/2"	229.72	87.2	54	10
3"	257.6	102.5	56	11
4"	276.4	131.31	60	11
5"	369.1	162	60	11
6"	406	194	65.1	12
8"	455.6	254	83.2	14

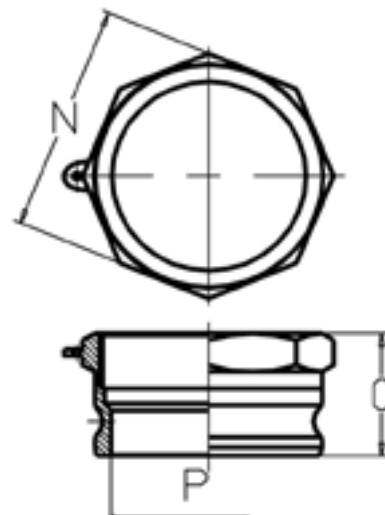


Part DC Camlock

Snaplock® & EcoCam Dimensions

Dimension (mm)

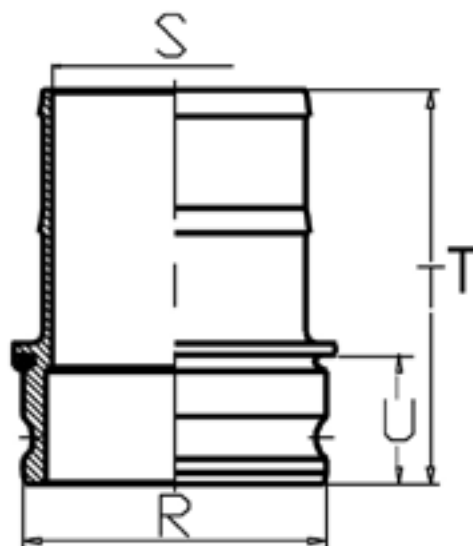
Camlock Size	N	O	P
1/2"	25.4	39.9	13.8
3/4"	32.5	43	21.6
1"	38	48.23	24.6
1 1/4"	47	54.12	29.5
1 1/2"	54.3	55.85	37
2"	67.3	62.2	46.25
2 1/2"	80.4	86.28	58.5
3"	96	69.8	75
4"	122	76.78	101.2
5"	148.5	80.4	126.5
6"	0	82.55	152.5
8"	246	87.9	190



Part A Camlock

Dimension (mm)

Camlock Size	V	W	X	Y
1/2"	25.4	54.9	39.9	13.8
3/4"	32.5	59	43	21.6
1"	37.75	67.83	48.23	24.6
1 1/4"	47.5	74.62	54.12	29.5
1 1/2"	55	76.35	55.85	37
2"	66.8	85.7	62.2	49.85
2 1/2"	80.4	99.28	68.28	58.5
3"	96	102.3	69.8	75
4"	122	111.48	74.98	101.2
5"	148.5	119.4	80.4	126.5
6"	0	126.55	83.05	152.5
8"	246	132.9	82.9	190

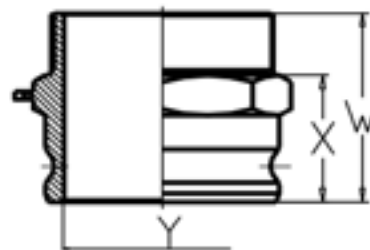
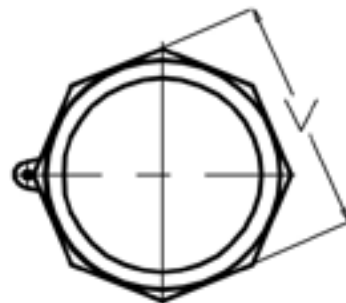


Part E Camlock

Snaplock® & EcoCam Dimensions

Dimension (mm)

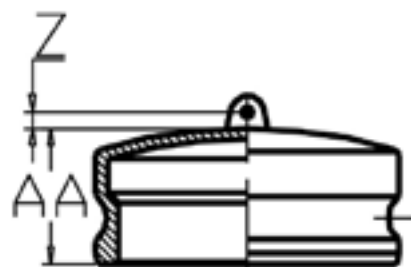
Camlock Size	V	W	X	Y
1/2"	25.4	54.9	39.9	13.8
3/4"	32.5	59	43	21.6
1"	37.75	67.83	48.23	24.6
1 1/4"	47.5	74.62	54.12	29.5
1 1/2"	55	76.35	55.85	37
2"	66.8	85.7	62.2	49.85
2 1/2"	80.4	99.28	68.28	58.5
3"	96	102.3	69.8	75
4"	122	111.48	74.98	101.2
5"	148.5	119.4	80.4	126.5
6"	0	126.55	83.05	152.5
8"	246	132.9	82.9	190



Part F Camlock

Dimension (mm)

Camlock Size	Z	AA
1/2"	8	26
3/4"	8	29.5
1"	8	34.7
1 1/4"	8	41.6
1 1/2"	9	43.15
2"	9	49.5
2 1/2"	10	51.28
3"	11	53.8
4"	11	56
5"	11	57
6"	12	59.5
8"	14	68.8



Part DP Camlock

Camlocks for IBC Specifications

Product Code	Product Description	Thread Type	Size	PSI
100A-DIN-PG	IBC, Part A 1" Cam Adaptor with (S60x6) Female Buttruss Polypropylene	(S60x6) Female	1"	100
150A-DIN-PG	IBC, Part A 1 1/2" Cam Adaptor with (S60x6) Female Buttruss Polypropylene	(S60x6) Female	1 1/2"	100
200A-DIN-PG	IBC, Part A 2" Cam Adaptor with (S60x6) Female Buttruss Polypropylene	(S60x6) Female	2"	100
200AS60IDCNAT-PG	IBC, Part A 2" Cam Adaptor (short form) with (S60x6) Female Buttruss Poly with Internal Dust Plug and Seal Poly	(S60x6) Female	2"	100
300A-DIN-PG	IBC, Part A 3" Cam Adaptor with (S100x8) Female Buttruss Polypropylene	(S100x8) Female	3"	100
075A-DIN-PG	IBC, Part A 3/4" Cam Adaptor with (S60x6) Female Buttruss Polypropylene	(S60x6) Female	3/4"	100
150A-DIN-SS	IBC, Part A, 1 1/2" Cam Adaptor x (S60x6) Female Buttruss S/Steel	(S60x6) Female	1 1/2"	100
100AS60NATBAG-PG	IBC, Part A, 1" Cam Adaptor x (S60x6) Female Buttruss ,Polypropylene , Natural, Bagged	(S60x6) Female	1"	100
150AS60NATBAG-PG	IBC, Part A, 1 1/2" Cam Adaptor x (S60x6) Female Buttruss ,Polypropylene , Natural, Bagged	(S60x6) Female	1 1/2"	100
200AS60NATBAG-PG	IBC, Part A, 2" Cam Adaptor x (S60x6) Female Buttruss ,Polypropylene, Natural, Bagged	(S60x6) Female	2"	100
300AS100NATBAG-P	IBC, Part A, 3" Cam Adaptor x (S100x8) Female Buttruss ,Polypropylene , Natural, Bagged	(S100x8) Female	3"	100
300AS92-PG	Part A 3" Cam Adaptor x (S92x4) Female Buttruss Polypropylene	(S92x4) Female	3"	100
200B-DIN-PG	IBC, Part B, 2" Cam Coupler x (S60x6) Male Buttruss, Polypropylene	(S60x6) Male	2"	100
200D-DIN-PG	Part D 2" Cam Coupler with (S60x6) Female Buttruss Thread Polypropylene	(S60x6) Female	2"	100
150A-IBM-SS	IBC, 1 1/2" Cam Adaptor x S60X6 Male Buttruss, S/Steel	(S60x6) Male	1 1/2"	100

Chemical Compatibility Chart

Key to Column Headings

BRASS - Brass/Gun Metal
 ALUM - Aluminium
 S/S - Stainless Steel
 PG - Polypropylene
 GSK - Gasket/Seal

Key to Gasket/Seal Codes

B - Buna
 E - EPDM
 N - Neoprene
 T - Teflon
 V - Viton



Disclaimer

This is to be used as a guide only and it is the responsibility of the user to ensure the compatibility of the couplings body and the gasket/seal material suggested in this guide with the application. Please note that due to possible variations in the temperature, pressure, concentration and the operating conditions, the user must make sure the product(s) they have chosen will work under the specific application even after initial installation.

These results are based on ambient temperature & pressures.

X Indicates Compatibility

Fluid	ALUM	BRASS	S/S	PG	GSK
Acetic Acid	X		X	X	E
Acetic Anhydride	X		X	X	T
Acetone	X		X	X	E
Agricultural Lime			X	X	B
Alcohol-Amyl		X	X	X	B
Alcohol-Butyl	X	X	X	X	B
Alcohol-Ethyl		X	X	X	B
Alcohol-Isopropyl	X	X	X	X	B
Alcohol-Methyl		X	X	X	B
Aluminium Chloride				X	B
Aluminium Fluoride 20%	X	X			B
Aluminium Nitrate			X	X	B
Aluminium Pot. Sulphate	X		X	X	B
Aluminium Sulphate			X	X	B
Ammonia Solutions	X		X	X	N

Chemical Compatibility Chart: Ammonium Chloride Dry - Caustic Potash

Fluid	ALUM	BRASS	S/S	PG	GSK
Ammonium Chloride Dry				X	B
Ammonium Hydroxide	X		X	X	E
Ammonium Nitrate	X		X	X	B
Ammonium Phosphate			X	X	B
Ammonium Sulphate			X	X	B
Aniline	X		X	X	T
Arsenic Acid			X	X	B
Asphalt		X	X		V
Barium Chloride			X	X	B
Beer	X	X	X	X	B
Benzene/Benzol	X	X	X		V
Benzine	X	X	X		B
Black Liquor				X	E
Bleach 12.5% Chlorine				X	E
Boric Acid	X		X	X	B
Brine			X	X	B
Bromic Acid				X	V
Butadiene	X	X	X		V
Butenes	X	X	X		V
Butyl Acetate Dry	X	X	X		T
Cadmium Cyanide				X	B
Calcium Acetate		X	X	X	E
Calcium Bisulphite			X	X	T
Calcium Chloride				X	B
Calcium Hydroxide		X	X	X	B
Calcium Nitrate 40%	X		X	X	B
Carbolic Acid (Phenol)			X		V
Carbon Disulphide	X	X	X		V
Carbon Tetrachloride			X		V
Carbonated Beverages	X		X	X	N
Carbonic Acid	X		X	X	B
Castor Oil			X	X	B
Caustic Potash				X	E

Chemical Compatibility Chart: Caustic Soda - Gelatin

Fluid	ALUM	BRASS	S/S	PG	GSK
Caustic Soda				X	E
Chloromethane			X		V
Chromic Acid			X	X	T
Citric Acid			X	X	B
Copper Chloride				X	B
Copper Sulphate			X	X	B
Corn Oil			X	X	B
Cottenseed Oil			X	X	B
Creosote	X	X	X		V
Cyclohexane	X	X	X		V
Detergents			X	X	B
Developer Solution				X	B
Dextrose	X		X	X	B
Diesel Fuels	X	X	X	X	B
Diethylene Glycol	X	X	X	X	B
Disodium Phosphate				X	B
Ethanolamine	X		X	X	N
Ether	X	X	X		T
Ethyl Acetate			X	X	T
Ethylene Dichloride		X	X		T
Ethylene Glycol	X	X	X	X	B
Fatty Acids			X	X	B
Ferric Chloride				X	B
Ferric Hydroxide				X	V
Ferric Nitrate			X	X	B
Ferric Sulphate			X	X	B
Formaldehyde 40%	X		X	X	T
Formic Acid	X		X	X	T
Freon	X		X	X	T
Fruit Juices			X	X	B
Gasoline Refined	X	X	X		B
Gasoline Sour	X		X		B
Gelatin	X		X	X	B

Chemical Compatibility Chart: Glucose - Methylene Chloride

Fluid	ALUM	BRASS	S/S	PG	GSK
Glucose	X		X	X	B
Glue	X	X	X	X	B
Glycerin	X	X	X	X	B
Glycols				X	B
Green Liquor				X	V
Hexane	X	X	X		V
Hydrobromic Acid				X	V
Hydrochloric Acid				X	V
Hydrocyanic Acid	X		X	X	E
Hydrogen Peroxide			X	X	V
Hydrogen Sulphide			X	X	T
Hypochlorous Acid 20%				X	E
Isobutyl Acetate	X	X	X	X	T
Isopropyl Acetate			X		T
Jet Fuel	X	X	X		V
Kerosene	X	X	X		B
Lactic Acid 20-70%			X	X	V
Laquers	X	X	X		T
Lard			X	X	B
Lead Chloride				X	V
Lime Slurry			X	X	B
Lime Sulphur			X	X	B
Linseed Oil			X	X	B
Magnesium Carbonate		X	X	X	B
Magnesium Chloride			X	X	B
Magnesium Hydroxide		X	X	X	E
Magnesium Nitrate	X		X	X	B
Magnesium Sulphate	X		X	X	B
Mercuric Chloride				X	B
Methyl Acetate				X	T
Methyl Benzine	X	X	X		V
Methyl Ethyl Ketone	X	X	X	X	E
Methylene Chloride			X		T

Chemical Compatibility Chart: Methynol - Potassium Chloride

Fluid	ALUM	BRASS	S/S	PG	GSK
Methynol	X	X	X	X	B
Milk	X		X	X	B
Mineral Oil	X	X	X	X	B
Molasses	X	X	X	X	V
Muriatic Acid				X	V
Naphthalene	X	X	X		V
Naphthenic Acid		X	X		V
Naptha	X	X	X		V
Nikel Chloride			X	X	B
Nikel Sulphate			X	X	B
Nitric Acid				X	T
Nitrobenzene	X		X		E
Octane	X	X	X		V
Oil - Fuel	X	X	X		B
Oil - Gear		X	X	X	V
Oil - Hydraulic	X	X	X	X	B
Oil - Petroleum Refined	X	X	X		B
Oil - Petroleum Unrefined			X		B
Oil - Vegetable			X	X	V
Oleic Acid	X		X	X	T
Oleum			X		T
Oxalic Acid	X			X	V
Palmitic Acid			X	X	B
Paraffin	X	X	X	X	B
Perchloroethylene			X		V
Phosphoric Acid 50- 85%			X	X	V
Photographic Solutions				X	V
Phthalic Anhydride	X	X	X	X	T
Picric Acid			X	X	V
Plating Solutions				X	E
Potasium Nitrate	X	X	X	X	B
Potassium Acetate		X	X	X	E
Potassium Chloride				X	B

Chemical Compatibility Chart: Potassium Cyanide - Stearic Acid

Fluid	ALUM	BRASS	S/S	PG	GSK
Potassium Cyanide			X	X	B
Potassium Dichromate	X	X	X	X	B
Potassium Hydroxide 30%			X	X	E
Potassium Sulphate	X	X	X	X	B
Propylene Glycol	X	X		X	B
Propylene Oxide			X		T
Salt Water		X	X	X	B
Shellac	X		X	X	B
Silicone Oil			X	X	B
Silver Nitrate				X	E
Soap Solutions			X	X	B
Soda Ash			X	X	B
Sodium Bicarbonate		X	X	X	B
Sodium Bisulphate			X	X	B
Sodium Borate	X	X	X	X	B
Sodium Carbonate			X	X	B
Sodium Chloride		X	X	X	B
Sodium Cyanide 10%			X	X	B
Sodium Dichromate 10%				X	T
Sodium Hydroxide 40%			X	X	E
Sodium Hypochlorite				X	E
Sodium Metaphosphate		X	X	X	B
Sodium Nitrate	X		X	X	E
Sodium Peroxide			X	X	E
Sodium Phosphate		X	X	X	B
Sodium Sulphate		X	X	X	B
Sodium Sulphide			X	X	B
Sodium Thiosulphate			X	X	B
Soya Bean Oil			X	X	B
Stannic Chloride				X	B
Stannous Chloride 15%			X	X	B
Stearic Acid			X	X	T

Chemical Compatibility Chart: Stoddard Solvent - Zinc Nitrate Sulphate

Fluid	ALUM	BRASS	S/S	PG	GSK
Stoddard Solvent	X	X	X		B
Styrene	X		X		T
Sugar Cane Liquor	X	X	X	X	B
Sulphate Liquors			X	X	B
Sulphite Liquors			X	X	V
Sulphuric Acid				X	T
Sulphurous Acid			X	X	T
Tannic Acid 10%			X	X	B
Tartaric Acid			X	X	B
Tetrachloroethylene			X		V
Toluene	X	X	X		T
Trichloroethylene		X	X		V
Triethanolamine	X		X	X	T
Trisodium Phosphate			X	X	B
Urea	X		X	X	T
Urine				X	B
Varnish	X		X		B
Vinegar			X	X	T
Water - Deionised				X	B
Water - Demineralised				X	B
Water - Distilled	X		X	X	B
Water - Fresh		X	X	X	B
Water - Mine Acid	X		X	X	B
Water - Salt		X	X	X	B
White Liquor			X	X	E
Wine			X	X	B
Xylene	X	X	X		V
Zinc Chloride				X	B
Zinc Nitrate Sulphate	X		X	X	V

EcoCam Camlock Fittings Specifications

Part A - Male Adaptor by Female Thread

Code	Size	Thread	Connection	Material	Seal	Bar
075A-AL	3/4"	BSP Parallel	Male Adaptor by Female Thread	Aluminium	NA	10
075A-PG	3/4"	BSP Parallel	Male Adaptor by Female Thread	Polypropylene	NA	4
075A-SS	3/4"	BSP Parallel	Male Adaptor by Female Thread	Stainless Steel 316	NA	10
100A-AL	1"	BSP Parallel	Male Adaptor by Female Thread	Aluminium	NA	10
100A-PG	1"	BSP Parallel	Male Adaptor by Female Thread	Polypropylene	NA	4
100A-SS	1"	BSP Parallel	Male Adaptor by Female Thread	Stainless Steel 316	NA	10
125A-AL	1 1/4"	BSP Parallel	Male Adaptor by Female Thread	Aluminium	NA	10
125A-PG	1 1/4"	BSP Parallel	Male Adaptor by Female Thread	Polypropylene	NA	4
125A-SS	1 1/4"	BSP Parallel	Male Adaptor by Female Thread	Stainless Steel 316	NA	10
150A-AL	1 1/2"	BSP Parallel	Male Adaptor by Female Thread	Aluminium	NA	10
150A-PG	1 1/2"	BSP Parallel	Male Adaptor by Female Thread	Polypropylene	NA	4
150A-SS	1 1/2"	BSP Parallel	Male Adaptor by Female Thread	Stainless Steel 316	NA	10
200A-AL	2"	BSP Parallel	Male Adaptor by Female Thread	Aluminium	NA	10
200A-PG	2"	BSP Parallel	Male Adaptor by Female Thread	Polypropylene	NA	4
200A-SS	2"	BSP Parallel	Male Adaptor by Female Thread	Stainless Steel 316	NA	10
250A-AL	2 1/2"	BSP Parallel	Male Adaptor by Female Thread	Aluminium	NA	10
250A-SS	2 1/2"	BSP Parallel	Male Adaptor by Female Thread	Stainless Steel 316	NA	10
300A-AL	3"	BSP Parallel	Male Adaptor by Female Thread	Aluminium	NA	10
300A-PG	3"	BSP Parallel	Male Adaptor by Female Thread	Polypropylene	NA	4
300A-SS	3"	BSP Parallel	Male Adaptor by Female Thread	Stainless Steel 316	NA	10
400A-AL	4"	BSP Parallel	Male Adaptor by Female Thread	Aluminium	NA	10
400A-SS	4"	BSP Parallel	Male Adaptor by Female Thread	Stainless Steel 316	NA	10

Part B - Female Coupler by Male Thread

075B-AL	3/4"	BSP Tapered	Female Coupler by Male Thread	Aluminium	Buna Nitrile	10
075B-PG	3/4"	BSP Tapered	Female Coupler by Male Thread	Polypropylene	Buna Nitrile	4
075B-SS	3/4"	BSP Tapered	Female Coupler by Male Thread	Stainless Steel 316	Buna Nitrile	10
100B-AL	1"	BSP Tapered	Female Coupler by Male Thread	Aluminium	Buna Nitrile	10
100B-PG	1"	BSP Tapered	Female Coupler by Male Thread	Polypropylene	Buna Nitrile	4
100B-SS	1"	BSP Tapered	Female Coupler by Male Thread	Stainless Steel 316	Buna Nitrile	10
125B-AL	1 1/4"	BSP Tapered	Female Coupler by Male Thread	Aluminium	Buna Nitrile	10
125B-PG	1 1/4"	BSP Tapered	Female Coupler by Male Thread	Polypropylene	Buna Nitrile	4

EcoCam Camlock Fittings Specifications

Code	Size	Thread	Connection	Material	Seal	Bar
125B-SS	1 1/4"	BSP Tapered	Female Coupler by Male Thread	Stainless Steel 316	Buna Nitrile	10
150B-AL	1 1/2"	BSP Tapered	Female Coupler by Male Thread	Aluminium	Buna Nitrile	10
150B-PG	1 1/2"	BSP Tapered	Female Coupler by Male Thread	Polypropylene	Buna Nitrile	4
150B-SS	1 1/2"	BSP Tapered	Female Coupler by Male Thread	Stainless Steel 316	Buna Nitrile	10
200B-AL	2"	BSP Tapered	Female Coupler by Male Thread	Aluminium	Buna Nitrile	10
200B-PG	2"	BSP Tapered	Female Coupler by Male Thread	Polypropylene	Buna Nitrile	4
200B-SS	2"	BSP Tapered	Female Coupler by Male Thread	Stainless Steel 316	Buna Nitrile	10
250B-AL	2 1/2"	BSP Tapered	Female Coupler by Male Thread	Aluminium	Buna Nitrile	10
250B-SS	2 1/2"	BSP Tapered	Female Coupler by Male Thread	Stainless Steel 316	Buna Nitrile	10
300B-AL	3"	BSP Tapered	Female Coupler by Male Thread	Aluminium	Buna Nitrile	10
300B-PG	3"	BSP Tapered	Female Coupler by Male Thread	Polypropylene	Buna Nitrile	4
300B-SS	3"	BSP Tapered	Female Coupler by Male Thread	Stainless Steel 316	Buna Nitrile	10
400B-AL	4"	BSP Tapered	Female Coupler by Male Thread	Aluminium	Buna Nitrile	10
400B-SS	4"	BSP Tapered	Female Coupler by Male Thread	Stainless Steel 316	Buna Nitrile	10
Part C - Female Coupler by Hose Tail						
075C-AL	3/4"	N/A	Female Coupler by Hose Tail	Aluminium	Buna Nitrile	10
075C-PG	3/4"	N/A	Female Coupler by Hose Tail	Polypropylene	Buna Nitrile	4
075C-SS	3/4"	N/A	Female Coupler by Hose Tail	Stainless Steel 316	Buna Nitrile	10
100C-AL	1"	N/A	Female Coupler by Hose Tail	Aluminium	Buna Nitrile	10
100C-PG	1"	N/A	Female Coupler by Hose Tail	Polypropylene	Buna Nitrile	4
100C-SS	1"	N/A	Female Coupler by Hose Tail	Stainless Steel 316	Buna Nitrile	10
125C-AL	1 1/4"	N/A	Female Coupler by Hose Tail	Aluminium	Buna Nitrile	10
125C-PG	1 1/4"	N/A	Female Coupler by Hose Tail	Polypropylene	Buna Nitrile	4
125C-SS	1 1/4"	N/A	Female Coupler by Hose Tail	Stainless Steel 316	Buna Nitrile	10
150C-AL	1 1/2"	N/A	Female Coupler by Hose Tail	Aluminium	Buna Nitrile	10
150C-PG	1 1/2"	N/A	Female Coupler by Hose Tail	Polypropylene	Buna Nitrile	4
150C-SS	1 1/2"	N/A	Female Coupler by Hose Tail	Stainless Steel 316	Buna Nitrile	10
200C-AL	2"	N/A	Female Coupler by Hose Tail	Aluminium	Buna Nitrile	10
200C-PG	2"	N/A	Female Coupler by Hose Tail	Polypropylene	Buna Nitrile	4
200C-SS	2"	N/A	Female Coupler by Hose Tail	Stainless Steel 316	Buna Nitrile	10
250C-AL	2 1/2"	N/A	Female Coupler by Hose Tail	Aluminium	Buna Nitrile	10
250C-SS	2 1/2"	N/A	Female Coupler by Hose Tail	Stainless Steel 316	Buna Nitrile	10

EcoCam Camlock Fittings Specifications

Code	Size	Thread	Connection	Material	Seal	Bar
300C-AL	3"	N/A	Female Coupler by Hose Tail	Aluminium	Buna Nitrile	10
300C-PG	3"	N/A	Female Coupler by Hose Tail	Polypropylene	Buna Nitrile	4
300C-SS	3"	N/A	Female Coupler by Hose Tail	Stainless Steel 316	Buna Nitrile	10
400C-AL	4"	N/A	Female Coupler by Hose Tail	Aluminium	Buna Nitrile	10
400C-SS	4"	N/A	Female Coupler by Hose Tail	Stainless Steel 316	Buna Nitrile	10
Part D - Female Coupler by Female Thread						
075D-AL	3/4"	BSP Parallel	Female Coupler by Female Thread	Aluminium	Buna Nitrile	10
075D-PG	3/4"	BSP Parallel	Female Coupler by Female Thread	Polypropylene	Buna Nitrile	4
075D-SS	3/4"	BSP Parallel	Female Coupler by Female Thread	Stainless Steel 316	Buna Nitrile	10
100D-AL	1"	BSP Parallel	Female Coupler by Female Thread	Aluminium	Buna Nitrile	10
100D-PG	1"	BSP Parallel	Female Coupler by Female Thread	Polypropylene	Buna Nitrile	4
100D-SS	1"	BSP Parallel	Female Coupler by Female Thread	Stainless Steel 316	Buna Nitrile	10
125D-AL	1 1/4"	BSP Parallel	Female Coupler by Female Thread	Aluminium	Buna Nitrile	10
125D-PG	1 1/4"	BSP Parallel	Female Coupler by Female Thread	Polypropylene	Buna Nitrile	4
125D-SS	1 1/4"	BSP Parallel	Female Coupler by Female Thread	Stainless Steel 316	Buna Nitrile	10
150D-AL	1 1/2"	BSP Parallel	Female Coupler by Female Thread	Aluminium	Buna Nitrile	10
150D-PG	1 1/2"	BSP Parallel	Female Coupler by Female Thread	Polypropylene	Buna Nitrile	4
150D-SS	1 1/2"	BSP Parallel	Female Coupler by Female Thread	Stainless Steel 316	Buna Nitrile	10
200D-AL	2"	BSP Parallel	Female Coupler by Female Thread	Aluminium	Buna Nitrile	10
200D-PG	2"	BSP Parallel	Female Coupler by Female Thread	Polypropylene	Buna Nitrile	4
200D-SS	2"	BSP Parallel	Female Coupler by Female Thread	Stainless Steel 316	Buna Nitrile	10
250D-AL	2 1/2"	BSP Parallel	Female Coupler by Female Thread	Aluminium	Buna Nitrile	10
250D-SS	2 1/2"	BSP Parallel	Female Coupler by Female Thread	Stainless Steel 316	Buna Nitrile	10
300D-AL	3"	BSP Parallel	Female Coupler by Female Thread	Aluminium	Buna Nitrile	10
300D-PG	3"	BSP Parallel	Female Coupler by Female Thread	Polypropylene	Buna Nitrile	4
300D-SS	3"	BSP Parallel	Female Coupler by Female Thread	Stainless Steel 316	Buna Nitrile	10
400D-AL	4"	BSP Parallel	Female Coupler by Female Thread	Aluminium	Buna Nitrile	10
400D-SS	4"	BSP Parallel	Female Coupler by Female Thread	Stainless Steel 316	Buna Nitrile	10

EcoCam Camlock Fittings Specifications

Part E - Male Adaptor by Hose Tail

Code	Size	Thread	Connection	Material	Seal	Bar
075E-AL	3/4"	N/A	Male Adaptor by Hose Tail	Aluminium	NA	10
075E-PG	3/4"	N/A	Male Adaptor by Hose Tail	Polypropylene	NA	4
075E-SS	3/4"	N/A	Male Adaptor by Hose Tail	Stainless Steel 316	NA	10
100E-AL	1"	N/A	Male Adaptor by Hose Tail	Aluminium	NA	10
100E-PG	1"	N/A	Male Adaptor by Hose Tail	Polypropylene	NA	4
100E-SS	1"	N/A	Male Adaptor by Hose Tail	Stainless Steel 316	NA	10
125E-AL	1 1/4"	N/A	Male Adaptor by Hose Tail	Aluminium	NA	10
125E-PG	1 1/4"	N/A	Male Adaptor by Hose Tail	Polypropylene	NA	4
125E-SS	1 1/4"	N/A	Male Adaptor by Hose Tail	Stainless Steel 316	NA	10
150E-AL	1 1/2"	N/A	Male Adaptor by Hose Tail	Aluminium	NA	10
150E-PG	1 1/2"	N/A	Male Adaptor by Hose Tail	Polypropylene	NA	4
150E-SS	1 1/2"	N/A	Male Adaptor by Hose Tail	Stainless Steel 316	NA	10
200E-AL	2"	N/A	Male Adaptor by Hose Tail	Aluminium	NA	10
200E-PG	2"	N/A	Male Adaptor by Hose Tail	Polypropylene	NA	4
200E-SS	2"	N/A	Male Adaptor by Hose Tail	Stainless Steel 316	NA	10
250E-AL	2 1/2"	N/A	Male Adaptor by Hose Tail	Aluminium	NA	10
250E-SS	2 1/2"	N/A	Male Adaptor by Hose Tail	Stainless Steel 316	NA	10
300E-AL	3"	N/A	Male Adaptor by Hose Tail	Aluminium	NA	10
300E-PG	3"	N/A	Male Adaptor by Hose Tail	Polypropylene	NA	4
300E-SS	3"	N/A	Male Adaptor by Hose Tail	Stainless Steel 316	NA	10
400E-AL	4"	N/A	Male Adaptor by Hose Tail	Aluminium	NA	10
400E-SS	4"	N/A	Male Adaptor by Hose Tail	Stainless Steel 316	NA	10

Part F - Male Adaptor by Male Thread

075F-AL	3/4"	BSP Tapered	Male Adaptor by Male Thread	Aluminium	NA	10
075F-PG	3/4"	BSP Tapered	Male Adaptor by Male Thread	Polypropylene	NA	4
075F-SS	3/4"	BSP Tapered	Male Adaptor by Male Thread	Stainless Steel 316	NA	10
100F-AL	1"	BSP Tapered	Male Adaptor by Male Thread	Aluminium	NA	10
100F-PG	1"	BSP Tapered	Male Adaptor by Male Thread	Polypropylene	NA	4
100F-SS	1"	BSP Tapered	Male Adaptor by Male Thread	Stainless Steel 316	NA	10
125F-AL	1 1/4"	BSP Tapered	Male Adaptor by Male Thread	Aluminium	NA	10
125F-PG	1 1/4"	BSP Tapered	Male Adaptor by Male Thread	Polypropylene	NA	4

EcoCam Camlock Fittings Specifications

Code	Size	Thread	Connection	Material	Seal	Bar
125F-SS	1 1/4"	BSP Tapered	Male Adaptor by Male Thread	Stainless Steel 316	NA	10
150F-AL	1 1/2"	BSP Tapered	Male Adaptor by Male Thread	Aluminium	NA	10
150F-PG	1 1/2"	BSP Tapered	Male Adaptor by Male Thread	Polypropylene	NA	4
150F-SS	1 1/2"	BSP Tapered	Male Adaptor by Male Thread	Stainless Steel 316	NA	10
200F-AL	2"	BSP Tapered	Male Adaptor by Male Thread	Aluminium	NA	10
200F-PG	2"	BSP Tapered	Male Adaptor by Male Thread	Polypropylene	NA	4
200F-SS	2"	BSP Tapered	Male Adaptor by Male Thread	Stainless Steel 316	NA	10
250F-AL	2 1/2"	BSP Tapered	Male Adaptor by Male Thread	Aluminium	NA	10
250F-SS	2 1/2"	BSP Tapered	Male Adaptor by Male Thread	Stainless Steel 316	NA	10
300F-AL	3"	BSP Tapered	Male Adaptor by Male Thread	Aluminium	NA	10
300F-PG	3"	BSP Tapered	Male Adaptor by Male Thread	Polypropylene	NA	4
400F-AL	4"	BSP Tapered	Male Adaptor by Male Thread	Aluminium	NA	10

Part DC - Dust Cap

075DC-AL	3/4"	N/A	Dust Cap	Aluminium	Buna Nitrile	10
075DC-PG	3/4"	N/A	Dust Cap	Polypropylene	Buna Nitrile	4
075DC-SS	3/4"	N/A	Dust Cap	Stainless Steel 316	Buna Nitrile	10
100DC-AL	1"	N/A	Dust Cap	Aluminium	Buna Nitrile	10
100DC-PG	1"	N/A	Dust Cap	Polypropylene	Buna Nitrile	4
100DC-SS	1"	N/A	Dust Cap	Stainless Steel 316	Buna Nitrile	10
125DC-AL	1 1/4"	N/A	Dust Cap	Aluminium	Buna Nitrile	10
125DC-SS	1 1/4"	N/A	Dust Cap	Stainless Steel 316	Buna Nitrile	10
150DC-AL	1 1/2"	N/A	Dust Cap	Aluminium	Buna Nitrile	10
150DC-PG	1 1/2"	N/A	Dust Cap	Polypropylene	Buna Nitrile	4
150DC-SS	1 1/2"	N/A	Dust Cap	Stainless Steel 316	Buna Nitrile	10
200DC-AL	2"	N/A	Dust Cap	Aluminium	Buna Nitrile	10
200DC-PG	2"	N/A	Dust Cap	Polypropylene	Buna Nitrile	4
200DC-SS	2"	N/A	Dust Cap	Stainless Steel 316	Buna Nitrile	10
250DC-AL	2 1/2"	N/A	Dust Cap	Aluminium	Buna Nitrile	10
250DC-SS	2 1/2"	N/A	Dust Cap	Stainless Steel 316	Buna Nitrile	10
300DC-AL	3"	N/A	Dust Cap	Aluminium	Buna Nitrile	10
300DC-PG	3"	N/A	Dust Cap	Polypropylene	Buna Nitrile	4
300DC-SS	3"	N/A	Dust Cap	Stainless Steel 316	Buna Nitrile	10

EcoCam Camlock Fittings Specifications

Code	Size	Thread	Connection	Material	Seal	Bar
400DC-AL	4"	N/A	Dust Cap	Aluminium	Buna Nitrile	10
400DC-SS	4"	N/A	Dust Cap	Stainless Steel 316	Buna Nitrile	10
Part DP - Dust Plug						
075DP-AL	3/4"	N/A	Dust Plug	Aluminium	NA	10
075DP-PG	3/4"	N/A	Dust Plug	Polypropylene	NA	4
075DP-SS	3/4"	N/A	Dust Plug	Stainless Steel 316	NA	10
100DP-AL	1"	N/A	Dust Plug	Aluminium	NA	10
100DP-PG	1"	N/A	Dust Plug	Polypropylene	NA	4
100DP-SS	1"	N/A	Dust Plug	Stainless Steel 316	NA	10
125DP-AL	1 1/4"	N/A	Dust Plug	Aluminium	NA	10
125DP-SS	1 1/4"	N/A	Dust Plug	Stainless Steel 316	NA	10
150DP-AL	1 1/2"	N/A	Dust Plug	Aluminium	NA	10
150DP-PG	1 1/2"	N/A	Dust Plug	Polypropylene	NA	4
150DP-SS	1 1/2"	N/A	Dust Plug	Stainless Steel 316	NA	10
200DP-AL	2"	N/A	Dust Plug	Aluminium	NA	10
200DP-PG	2"	N/A	Dust Plug	Polypropylene	NA	4
200DP-SS	2"	N/A	Dust Plug	Stainless Steel 316	NA	10
250DP-AL	2 1/2"	N/A	Dust Plug	Aluminium	NA	10
250DP-SS	2 1/2"	N/A	Dust Plug	Stainless Steel 316	NA	10
300DP-AL	3"	N/A	Dust Plug	Aluminium	NA	10
300DP-PG	3"	N/A	Dust Plug	Polypropylene	NA	4
300DP-SS	3"	N/A	Dust Plug	Stainless Steel 316	NA	10
400DP-AL	4"	N/A	Dust Plug	Aluminium	NA	10
400DP-SS	4"	N/A	Dust Plug	Stainless Steel 316	NA	10

Gaskets & Seals Specifications

Code	Size	Material	Min Temperature	Max Temperature
Nitrile Buna				
050GSK-BU	3/4"	Nitrile Buna	-40	93
050GSK-NB	1"	Nitrile Buna	-40	93
125GSK-BU	1 1/4"	Nitrile Buna	-40	93
150GSK-BU	1 1/2"	Nitrile Buna	-40	93
200GSK-BU	2"	Nitrile Buna	-40	93
250GSK-BU	2 1/2"	Nitrile Buna	-40	93
300GSK-BU	3"	Nitrile Buna	-40	93
400GSK-BU	4"	Nitrile Buna	-40	93
500GSK-BU	5"	Nitrile Buna	-40	93
600GSK-BU	6"	Nitrile Buna	-40	93
EPDM				
050GSK-EP	1/2"	EPDM	-30	149
075GSK-EP	3/4"	EPDM	-30	149
100GSK-EP	1"	EPDM	-30	149
125GSK-EP	1 1/4"	EPDM	-30	149
150GSK-EP	1 1/2"	EPDM	-30	149
200GSK-EP	2"	EPDM	-30	149
250GSK-EP	2 1/2"	EPDM	-30	149
300GSK-EP	3"	EPDM	-30	149
400GSK-EP	4"	EPDM	-30	149
600GSK-EP	6"	EPDM	-30	149
Fully Encapsulated Silicone				
050GSK-FEPSIL	1/2"	Fully Encapsulated Silicone	-60	205
075GSK-FEPSIL	3/4"	Fully Encapsulated Silicone	-60	205
100GSK-FEPSIL	1"	Fully Encapsulated Silicone	-60	205
125GSK-FEPSIL	1 1/4"	Fully Encapsulated Silicone	-60	205
150GSK-FEPSIL	1 1/2"	Fully Encapsulated Silicone	-60	205
200GSK-FEPSIL	2"	Fully Encapsulated Silicone	-60	205
250GSK-FEPSIL	2 1/2"	Fully Encapsulated Silicone	-60	205
300GSK-FEPSIL	3"	Fully Encapsulated Silicone	-60	205
400GSK-FEPSIL	4"	Fully Encapsulated Silicone	-60	205

Gaskets & Seals Specifications

Neoprene Black

Code	Size	Material	Min Temperature	Max Temperature
075GSK-NB	3/4"	Neoprene Black	-50	107
100GSK-NB	1"	Neoprene Black	-50	107
125GSK-NB	1 1/4"	Neoprene Black	-50	107
150GSK-NB	1 1/2"	Neoprene Black	-50	107
200GSK-NB	2"	Neoprene Black	-50	107
250GSK-NB	2 1/2"	Neoprene Black	-50	107
300GSK-NB	3"	Neoprene Black	-50	107
400GSK-NB	4"	Neoprene Black	-50	107

Teflon Buna

050GSK-TB	1/2"	Teflon Buna	-40	93
075GSK-TB	3/4"	Teflon Buna	-40	93
100GSK-TB	1"	Teflon Buna	-40	93
125GSK-TB	1 1/4"	Teflon Buna	-40	93
150GSK-TB	1 1/2"	Teflon Buna	-40	93
200GSK-TB	2"	Teflon Buna	-40	93
250GSK-TB	2 1/2"	Teflon Buna	-40	93
300GSK-TB	3"	Teflon Buna	-40	93
400GSK-TB	4"	Teflon Buna	-40	93

Teflon Viton

050GSK-TV	1/2"	Teflon Viton	-40	200
075GSK-TV	3/4"	Teflon Viton	-40	200
100GSK-TV	1"	Teflon Viton	-40	200
125GSK-TV	1 1/4"	Teflon Viton	-40	200
150GSK-TV	1 1/2"	Teflon Viton	-40	200
200GSK-TV	2"	Teflon Viton	-40	200
250GSK-TV	2 1/2"	Teflon Viton	-40	200
300GSK-TV	3"	Teflon Viton	-40	200
400GSK-TV	4"	Teflon Viton	-40	200

Gaskets & Seals Specifications

Viton (FKM)

Code	Size	Material	Min Temperature	Max Temperature
050GSK-VA	1/2"	Viton (FKM)	-40	200
075GSK-VA	3/4"	Viton (FKM)	-40	200
100GSK-VA	1"	Viton (FKM)	-40	200
125GSK-VA	1 1/4"	Viton (FKM)	-40	200
150GSK-VA	1 1/2"	Viton (FKM)	-40	200
200GSK-VA	2"	Viton (FKM)	-40	200
250GSK-VA	2 1/2"	Viton (FKM)	-40	200
300GSK-VA	3"	Viton (FKM)	-40	200
400GSK-VA	4"	Viton (FKM)	-40	200
500GSK-VA	5"	Viton (FKM)	-40	200
600GSK-VA	6"	Viton (FKM)	-40	200

Ribbed Santoprene

075GSK-E	1/2 - 3/4"	Ribbed Santoprene	-50	150
100GSK-E	1"	Ribbed Santoprene	-50	150
125GSK-E	1 1/4"	Ribbed Santoprene	-50	150
150GSK-E	1 1/2"	Ribbed Santoprene	-50	150
200GSK-E	2"	Ribbed Santoprene	-50	150
300GSK-E	3"	Ribbed Santoprene	-50	150
400GSK-E	4"	Ribbed Santoprene	-50	150

Material Certifications - Example

THE INSPECTION REPORT OF MATERIAL

CUSTOMER: ACTION SEALTITE LTD.

ORDER NO: POR067145-067314

TEST DATE: Sep. 20,2017

COMMODITY: STAINLESS STEEL SS316 BODY AND 304 HANDLE CAMLOCK COUPLING

RESULT OF CHEMICAL ANALYSE								
Heat No.	C	Si	Mn	P	S	Cr	Ni	Mo
	≤0.08	≤1.5	≤1.5	≤0.040	≤0.040	16-18	10-14	2.0-3.0
2017095	0.023	0.709	0.933	0.026	0.008	16.207	10.273	2.207
2017096	0.028	0.683	0.868	0.022	0.009	16.109	10.265	2.156
2017097	0.029	0.656	0.891	0.026	0.006	16.304	10.235	2.107

304	C	Si	Mn	P	S	Cr	Ni
	≤0.08	≤1.00	≤2.00	≤0.045	≤0.03	18-20	8-10.5
	0.056	0.807	1.011	0.025	0.018	18.331	8.203

MECHANICAL PROPERTIES								
Heat No.	Yield	Tensile	Extend	Reduce	Impact	Hardness	Penetrate	Penetrate
	σs(Mpa)	σb(Mpa)	δ(%)	ψ (%)	ak(J/C m ²)	(HB)	test	test
	≥ 205	≥ 485	≥ 30					
2017091	252	501	43					

for Action Sealtite Ltd

INSPECTOR: 谢伟东

QC MANAGER: weizhongfeng

Material Certifications Example



A member of The Flowmax Group

TRACEABLE MATERIAL CERTIFICATE TO BS EN 10204 3.1

Certificate No: EXAMPLE Date: EXAMPLE
 Name of Customer: EXAMPLE Date of: EXAMPLE
 Customer Order No: EXAMPLE ASL Job Number(s): EXAMPLE

Part No	Qty	Description	Material	Batch No
F200-SS-NT	1	2" No Thread SNAPLOCK Adpt SS	316SS	2017095
		EXAMPLE PURPOSES ONLY		

We hereby certify that the items detailed above have been inspected in accordance with quality control procedures as stated in our Quality Assurance Manual. Full documentary evidence including approved copies of back-up certification are attached as stated on the subject purchase order.

All goods are supplied in accordance with our Standard Terms and Conditions of Business.

ACTION QUALITY STAMP



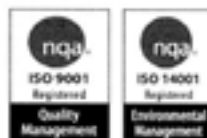
Registered Address:
 7/8 Eghams Court
 Boston Drive
 Bourne End
 Bucks
 SL8 5YS

Business address:
 Unit 14/15 Moorbrook
 Southmead Ind. Park
 Didcot
 Oxon.
 OX11 7HP

Tel: 01235 512500 Fax: 01235 512666 email: sales@actionsealtite.com
 Registered in Cardiff No. 01610309

Form Rev 03
 4/1/16

Material Certifications Example



Signed:
Position:
For and on behalf of
Action-Sealtite Ltd

Registered Address:
7/8 Eghams Court
Boston Drive
Bourne End
Bucks
SL8 5YS

Business address:
Unit 14/15 Moorbrook
Southmead Ind. Park
Didcot
Oxon
OX11 7HP

Tel: 01235 512500 Fax: 01235 512686 email: sales@actionsealtite.com
Registered in Cardiff No. 01610309

Form Rev 02
4/1/16

Safety Bumps & Locks Specifications

Code	Size	Connection	Material
Antistatic Female Safety Bump			
SB300F	3"	Female Safety Bump	Antistatic Polypropylene
SB200F	2"	Female Safety Bump	Antistatic Polypropylene
SB400F	4"	Female Safety Bump	Antistatic Polypropylene
Food Grade Female Safety Bump			
SB200F-FG	2"	Female Safety Bump	Food Grade Polypropylene
SB300F-FG	3"	Female Safety Bump	Food Grade Polypropylene
SB400F-FG	4"	Female Safety Bump	Food Grade Polypropylene
Antistatic Male Safety Bump			
SB200M	2"	Male Safety Bump	Antistatic Polypropylene
SB300M	3"	Male Safety Bump	Antistatic Polypropylene
SB400M	4"	Male Safety Bump	Antistatic Polypropylene
Food Grade Male Safety Bump			
SB200M-FG	2"	Male Safety Bump	Food Grade Polypropylene
SB300M-FG	3"	Male Safety Bump	Food Grade Polypropylene
SB400M-FG	4"	Male Safety Bump	Food Grade Polypropylene
Safety Lock			
SBL200	2"	Safety Lock	Polypropylene
SBL300	3"	Safety Lock	Polypropylene
SBL400	4"	Safety Lock	Polypropylene

Saflok® Couplers Specifications

Product Code	Size	Thread	Connection	Material	Seal	Bar
Part B Female Coupler with Male Thread						
B050-SAFLOK-SS	1/2"	BSP	Female Coupler by Male Thread	Stainless Steel 316	Buna Nitrile	25
B075-SAFLOK-SS	3/4"	BSP	Female Coupler by Male Thread	Stainless Steel 316	Buna Nitrile	25
B100-SAFLOK-SS	1"	BSP	Female Coupler by Male Thread	Stainless Steel 316	Buna Nitrile	25
B125-SAFLOK-SS	1 1/4"	BSP	Female Coupler by Male Thread	Stainless Steel 316	Buna Nitrile	18
B150-SAFLOK-SS	1 1/2"	BSP	Female Coupler by Male Thread	Stainless Steel 316	Buna Nitrile	25
B200-SAFLOK-SS	2"	BSP	Female Coupler by Male Thread	Stainless Steel 316	Buna Nitrile	25
B300-SAFLOK-SS	3"	BSP	Female Coupler by Male Thread	Stainless Steel 316	Buna Nitrile	25
Part C Female Coupler with Serrated Hose Tail						
C075-SAFLOK-SS	3/4"	NA	Female Coupler by Hose Tail	Stainless Steel 316	Buna Nitrile	25
C100-SAFLOK-SS	1"	NA	Female Coupler by Hose Tail	Stainless Steel 316	Buna Nitrile	25
C125-SAFLOK-SS	1 1/4"	NA	Female Coupler by Hose Tail	Stainless Steel 316	Buna Nitrile	25
C150-SAFLOK-SS	1 1/2"	NA	Female Coupler by Hose Tail	Stainless Steel 316	Buna Nitrile	25
C200-SAFLOK-SS	2"	NA	Female Coupler by Hose Tail	Stainless Steel 316	Buna Nitrile	25
C250-SAFLOK-SS	2 1/2"	NA	Female Coupler by Hose Tail	Stainless Steel 316	Buna Nitrile	25
C300-SAFLOK-SS	3"	NA	Female Coupler by Hose Tail	Stainless Steel 316	Buna Nitrile	25
Part D Female Coupler with Female Thread						
D050-SAFLOK-SS	1/2"	BSP	Female Coupler by Female Thread	Stainless Steel 316	Buna Nitrile	18
D075-SAFLOK-SS	3/4"	BSP	Female Coupler by Female Thread	Stainless Steel 316	Buna Nitrile	18
D100-SAFLOK-SS	1"	BSP	Female Coupler by Female Thread	Stainless Steel 316	Buna Nitrile	18
D125-SAFLOK-SS	1 1/4"	BSP	Female Coupler by Female Thread	Stainless Steel 316	Buna Nitrile	18
D150-SAFLOK-SS	1 1/2"	BSP	Female Coupler by Female Thread	Stainless Steel 316	Buna Nitrile	10
D200-SAFLOK-SS	2"	BSP	Female Coupler by Female Thread	Stainless Steel 316	Buna Nitrile	18
D250-SAFLOK-SS	2 1/2"	BSP	Female Coupler by Female Thread	Stainless Steel 316	Buna Nitrile	25
D300-SAFLOK-SS	3"	BSP	Female Coupler by Female Thread	Stainless Steel 316	Buna Nitrile	18
D400-SAFLOK-SS	4"	BSP	Female Coupler by Female Thread	Stainless Steel 316	Buna Nitrile	18

Saflok® Couplers Specifications

Part DC Female Dust Cap

Product Code	Size	Thread	Connection	Material	Seal	Bar
DC075-SAFLOK-SS	3/4"	NA	Dust Cap	Stainless Steel 316	Buna Nitrile	25
DC100-SAFLOK-SS	1"	NA	Dust Cap	Stainless Steel 316	Buna Nitrile	25
DC125-SAFLOK-SS	1 1/4"	NA	Dust Cap	Stainless Steel 316	Buna Nitrile	25
DC150-SAFLOK-SS	1 1/2"	NA	Dust Cap	Stainless Steel 316	Buna Nitrile	25
DC200-SAFLOK-SS	2"	NA	Dust Cap	Stainless Steel 316	Buna Nitrile	25
DC300-SAFLOK-SS	3"	NA	Dust Cap	Stainless Steel 316	Buna Nitrile	25

Part DU Female Coupler with DIN 2828 Female Thread

DU050-SAFLOK-SS	1/2"	BSP	Female Coupler by Female Thread	Stainless Steel 316	PTFE	18
DU075-SAFLOK-SS	3/4"	BSP	Female Coupler by Female Thread	Stainless Steel 316	PTFE	25
DU100-SAFLOK-SS	1"	BSP	Female Coupler by Female Thread	Stainless Steel 316	PTFE	25
DU150-SAFLOK-SS	1 1/2"	BSP	Female Coupler by Female Thread	Stainless Steel 316	PTFE	25
DU200-SAFLOK-SS	2"	BSP	Female Coupler by Female Thread	Stainless Steel 316	PTFE	18
DU250-SAFLOK-SS	2 1/2"	BSP	Female Coupler by Female Thread	Stainless Steel 316	PTFE	25
DU300-SAFLOK-SS	3"	BSP	Female Coupler by Female Thread	Stainless Steel 316	PTFE	18

Smooth Tail Female Coupler with Smooth Hose Tail

CRS075-SAFLOK-SS	3/4"	NA	Female Coupler by Hose Tail	Stainless Steel 316	Buna Nitrile	25
CRS100-SAFLOK-SS	1"	NA	Female Coupler by Hose Tail	Stainless Steel 316	Buna Nitrile	25
CRS150-SAFLOK-SS	1 1/2"	NA	Female Coupler by Hose Tail	Stainless Steel 316	Buna Nitrile	25
CRS200-SAFLOK-SS	2"	NA	Female Coupler by Hose Tail	Stainless Steel 316	Buna Nitrile	25
CRS300-SAFLOK-SS	3"	NA	Female Coupler by Hose Tail	Stainless Steel 316	Buna Nitrile	25

Snaplock® Camlock Fittings Specifications

Code	Size	Connection	Material	Seal	Pressure
Part A Adaptor with Female Thread BSP or NPT					
A050-A	1/2"	Male Adaptor by Female Thread	Aluminium	NA	9
A050-B-NPT	1/2"	Male Adaptor by Female Thread	Brass	NA	10
A050-P	1/2"	Male Adaptor by Female Thread	Polypropylene	NA	10
A050-SS	1/2"	Male Adaptor by Female Thread	Stainless Steel 316	NA	10
A050-SS-NPT	1/2"	Male Adaptor by Female Thread	Stainless Steel 316	NA	10
A075-A	3/4"	Male Adaptor by Female Thread	Aluminium	NA	10
A075-A-NPT	3/4"	Male Adaptor by Female Thread	Aluminium	NA	10
A075-B-NPT	3/4"	Male Adaptor by Female Thread	Brass	NA	10
A075-P	3/4"	Male Adaptor by Female Thread	Polypropylene	NA	7
A075-SS	3/4"	Male Adaptor by Female Thread	Stainless Steel 316	NA	10
A075-SS-NPT	3/4"	Male Adaptor by Female Thread	Stainless Steel 316	NA	10
A100-A	1"	Male Adaptor by Female Thread	Aluminium	NA	10
A100-A-NPT	1"	Male Adaptor by Female Thread	Aluminium	NA	10
A100-B	1"	Male Adaptor by Female Thread	Brass	NA	10
A100-B-NPT	1"	Male Adaptor by Female Thread	Brass	NA	10
A100-P	1"	Male Adaptor by Female Thread	Polypropylene	NA	7
A100-P-NPT	1"	Male Adaptor by Female Thread	Polypropylene	NA	7
A100-SS	1"	Male Adaptor by Female Thread	Stainless Steel 316	NA	10
A100-SS-NPT	1"	Male Adaptor by Female Thread	Stainless Steel 316	NA	10
A125-A	1 1/4"	Male Adaptor by Female Thread	Aluminium	NA	10
A125-B	1 1/4"	Male Adaptor by Female Thread	Brass	NA	10
A125-B-NPT	1 1/4"	Male Adaptor by Female Thread	Brass	NA	10
A125-P	1 1/4"	Male Adaptor by Female Thread	Polypropylene	NA	7
A125-SS	1 1/4"	Male Adaptor by Female Thread	Stainless Steel 316	NA	10
A125-SS-NPT	1 1/4"	Male Adaptor by Female Thread	Stainless Steel 316	NA	10
A150-A	1 1/2"	Male Adaptor by Female Thread	Aluminium	NA	10
A150-A-NPT	1 1/2"	Male Adaptor by Female Thread	Aluminium	NA	10
A150-B	1 1/2"	Male Adaptor by Female Thread	Brass	NA	10
A150-B-NPT	1 1/2"	Male Adaptor by Female Thread	Brass	NA	10
A150-P	1 1/2"	Male Adaptor by Female Thread	Polypropylene	NA	7
A150-SS	1 1/2"	Male Adaptor by Female Thread	Stainless Steel 316	NA	10

Snaplock® Camlock Fittings Specifications

Code	Size	Connection	Material	Seal	Pressure
A150-SS-NPT	1 1/2"	Male Adaptor by Female Thread	Stainless Steel 316	NA	10
A200-A	2"	Male Adaptor by Female Thread	Aluminium	NA	10
A200-A-NPT	2"	Male Adaptor by Female Thread	Aluminium	NA	10
A200-B	2"	Male Adaptor by Female Thread	Brass	NA	10
A200-B-NPT	2"	Male Adaptor by Female Thread	Brass	NA	10
A200-P	2"	Male Adaptor by Female Thread	Polypropylene	NA	7
A200-P-NPT	2"	Male Adaptor by Female Thread	Polypropylene	NA	10
A200-SS	2"	Male Adaptor by Female Thread	Stainless Steel 316	NA	10
A200-SS-NPT	2"	Male Adaptor by Female Thread	Stainless Steel 316	NA	10
A250-A	2 1/2"	Male Adaptor by Female Thread	Aluminium	NA	10
A250-A-NPT	2 1/2"	Male Adaptor by Female Thread	Aluminium	NA	10
A250-B	2 1/2"	Male Adaptor by Female Thread	Brass	NA	10
A250-B-NPT	2 1/2"	Male Adaptor by Female Thread	Brass	NA	10
A250-SS	2 1/2"	Male Adaptor by Female Thread	Stainless Steel 316	NA	10
A250-SS-NPT	2 1/2"	Male Adaptor by Female Thread	Stainless Steel 316	NA	10
A300-A	3"	Male Adaptor by Female Thread	Aluminium	NA	10
A300-A-NPT	3"	Male Adaptor by Female Thread	Aluminium	NA	10
A300-B	3"	Male Adaptor by Female Thread	Brass	NA	10
A300-B-NPT	3"	Male Adaptor by Female Thread	Brass	NA	10
A300-P	3"	Male Adaptor by Female Thread	Polypropylene	NA	7
A300-P-NPT	3"	Male Adaptor by Female Thread	Polypropylene	NA	7
A300-SS	3"	Male Adaptor by Female Thread	Stainless Steel 316	NA	10
A300-SS-NPT	3"	Male Adaptor by Female Thread	Stainless Steel 316	NA	10
A400-A	4"	Male Adaptor by Female Thread	Aluminium	NA	10
A400-A-NPT	4"	Male Adaptor by Female Thread	Aluminium	NA	10
A400-B	4"	Male Adaptor by Female Thread	Brass	NA	10
A400-B-NPT	4"	Male Adaptor by Female Thread	Brass	NA	10
A400-P	4"	Male Adaptor by Female Thread	Polypropylene	NA	7
A400-P-NPT	4"	Male Adaptor by Female Thread	Polypropylene	NA	7
A400-SS	4"	Male Adaptor by Female Thread	Stainless Steel 316	NA	10
A400-SS-NPT	4"	Male Adaptor by Female Thread	Stainless Steel 316	NA	10
A500-A	5"	Male Adaptor by Female Thread	Aluminium	NA	10

Snaplock® Camlock Fittings Specifications

Code	Size	Connection	Material	Seal	Pressure
A500-B	5"	Male Adaptor by Female Thread	Brass	NA	10
A500-B-NPT	5"	Male Adaptor by Female Thread	Brass	NA	10
A500-SS	5"	Male Adaptor by Female Thread	Stainless Steel 316	NA	10
A500-SS-NPT	5"	Male Adaptor by Female Thread	Stainless Steel 316	NA	10
A600-A	6"	Male Adaptor by Female Thread	Aluminium	NA	10
A600-B	6"	Male Adaptor by Female Thread	Brass	NA	10
A600-B-NPT	6"	Male Adaptor by Female Thread	Brass	NA	10
A600-SS	6"	Male Adaptor by Female Thread	Stainless Steel 316	NA	10

Part B Coupler with Male Thread BSP or NPT

B050-A	1/2"	Female Coupler by Male Thread	Aluminium	Buna Nitrile	10
B050-B	1/2"	Female Coupler by Male Thread	Brass	Buna Nitrile	10
B050-B-NPT	1/2"	Female Coupler by Male Thread	Brass	Buna Nitrile	10
B050-P	1/2"	Female Coupler by Male Thread	Polypropylene	Santoprene	7
B050-SS	1/2"	Female Coupler by Male Thread	Stainless Steel 316	Buna Nitrile	10
B050-SS-NPT	1/2"	Female Coupler by Male Thread	Stainless Steel 316	Buna Nitrile	10
B050-SS-NT	1/2"	Female Coupler by Weld End	Stainless Steel 316	Buna Nitrile	10
B075-A	3/4"	Female Coupler by Male Thread	Aluminium	Buna Nitrile	10
B075-A-NPT	3/4"	Female Coupler by Male Thread	Aluminium	Buna Nitrile	10
B075-B	3/4"	Female Coupler by Male Thread	Brass	Buna Nitrile	10
B075-B-NPT	3/4"	Female Coupler by Male Thread	Brass	Buna Nitrile	10
B075-P	3/4"	Female Coupler by Male Thread	Polypropylene	Santoprene	7
B075-SS	3/4"	Female Coupler by Male Thread	Stainless Steel 316	Buna Nitrile	10
B075-SS-NPT	3/4"	Female Coupler by Male Thread	Stainless Steel 316	Buna Nitrile	10
B075-SS-NT	3/4"	Female Coupler by Weld End	Stainless Steel 316	Buna Nitrile	10
B100-A	1"	Female Coupler by Male Thread	Aluminium	Buna Nitrile	10
B100-A-NPT	1"	Female Coupler by Male Thread	Aluminium	Buna Nitrile	10
B100-B	1"	Female Coupler by Male Thread	Brass	Buna Nitrile	10
B100-B-NPT	1"	Female Coupler by Male Thread	Brass	Buna Nitrile	10
B100-P	1"	Female Coupler by Male Thread	Polypropylene	Santoprene	7
B100-P-NPT	1"	Female Coupler by Male Thread	Polypropylene	Santoprene	7
B100-SS	1"	Female Coupler by Male Thread	Stainless Steel 316	Buna Nitrile	10
B100-SS-NPT	1"	Female Coupler by Male Thread	Stainless Steel 316	Buna Nitrile	10

Snaplock® Camlock Fittings Specifications

Code	Size	Connection	Material	Seal	Pressure
B100-SS-NT	1"	Female Coupler by Weld End	Stainless Steel 316	Buna Nitrile	10
B125-A	1 1/4"	Female Coupler by Male Thread	Aluminium	Buna Nitrile	10
B125-B	1 1/4"	Female Coupler by Male Thread	Brass	Buna Nitrile	10
B125-P	1 1/4"	Female Coupler by Male Thread	Polypropylene	Santoprene	7
B125-SS	1 1/4"	Female Coupler by Male Thread	Stainless Steel 316	Buna Nitrile	10
B125-SS-NPT	1 1/4"	Female Coupler by Male Thread	Stainless Steel 316	Buna Nitrile	10
B125-SS-NT	1 1/4"	Female Coupler by Weld End	Stainless Steel 316	Buna Nitrile	10
B150-A	1 1/2"	Female Coupler by Male Thread	Aluminium	Buna Nitrile	10
B150-A-NPT	1 1/2"	Female Coupler by Male Thread	Aluminium	Buna Nitrile	10
B150-B	1 1/2"	Female Coupler by Male Thread	Brass	Buna Nitrile	10
B150-B-NPT	1 1/2"	Female Coupler by Male Thread	Brass	Buna Nitrile	10
B150-P	1 1/2"	Female Coupler by Male Thread	Polypropylene	Santoprene	10
B150-P-NPT	1 1/2"	Female Coupler by Male Thread	Polypropylene	Santoprene	7
B150-SS	1 1/2"	Female Coupler by Male Thread	Stainless Steel 316	Buna Nitrile	10
B150-SS-NPT	1 1/2"	Female Coupler by Male Thread	Stainless Steel 316	Buna Nitrile	10
B150-SS-NT	1 1/2"	Female Coupler by Weld End	Stainless Steel 316	Buna Nitrile	10
B200-A	2"	Female Coupler by Male Thread	Aluminium	Buna Nitrile	10
B200-A-NPT	2"	Female Coupler by Male Thread	Aluminium	Buna Nitrile	10
B200-B	2"	Female Coupler by Male Thread	Brass	Buna Nitrile	10
B200-B-NPT	2"	Female Coupler by Male Thread	Brass	Buna Nitrile	10
B200-P	2"	Female Coupler by Male Thread	Polypropylene	Santoprene	7
B200-P-NPT	2"	Female Coupler by Male Thread	Polypropylene	Santoprene	7
B200-SS	2"	Female Coupler by Male Thread	Stainless Steel 316	Buna Nitrile	10
B200-SS-NPT	2"	Female Coupler by Male Thread	Stainless Steel 316	Buna Nitrile	10
B200-SS-NT	2"	Female Coupler by Weld End	Stainless Steel 316	Buna Nitrile	10
B250-A	2 1/2"	Female Coupler by Male Thread	Aluminium	Buna Nitrile	10
B250-B	2 1/2"	Female Coupler by Male Thread	Brass	Buna Nitrile	10
B250-B-NPT	2 1/2"	Female Coupler by Male Thread	Brass	Buna Nitrile	10
B250-SS	2 1/2"	Female Coupler by Male Thread	Stainless Steel 316	Buna Nitrile	10
B250-SS-NPT	2 1/2"	Female Coupler by Male Thread	Stainless Steel 316	Buna Nitrile	10
B250-SS-NT	2 1/2"	Female Coupler by Weld End	Stainless Steel 316	Buna Nitrile	10
B300-A	3"	Female Coupler by Male Thread	Aluminium	Buna Nitrile	10

Snaplock® Camlock Fittings Specifications

Code	Size	Connection	Material	Seal	Pressure
B300-A-NPT	3"	Female Coupler by Male Thread	Aluminium	Buna Nitrile	10
B300-B	3"	Female Coupler by Male Thread	Brass	Buna Nitrile	10
B300-B-NPT	3"	Female Coupler by Male Thread	Brass	Buna Nitrile	10
B300-P	3"	Female Coupler by Male Thread	Polypropylene	Santoprene	7
B300-P-NPT	3"	Female Coupler by Male Thread	Polypropylene	Santoprene	7
B300-SS	3"	Female Coupler by Male Thread	Stainless Steel 316	Buna Nitrile	10
B300-SS-NPT	3"	Female Coupler by Male Thread	Stainless Steel 316	Buna Nitrile	10
B400-A	4"	Female Coupler by Male Thread	Aluminium	Buna Nitrile	10
B400-A-NPT	4"	Female Coupler by Male Thread	Aluminium	Buna Nitrile	10
B400-B	4"	Female Coupler by Male Thread	Brass	Buna Nitrile	10
B400-B-NPT	4"	Female Coupler by Male Thread	Brass	Buna Nitrile	10
B400-P	4"	Female Coupler by Male Thread	Polypropylene	Santoprene	7
B400-P-NPT	4"	Female Coupler by Male Thread	Polypropylene	Santoprene	7
B400-SS	4"	Female Coupler by Male Thread	Stainless Steel 316	Buna Nitrile	10
B400-SS-NPT	4"	Female Coupler by Male Thread	Stainless Steel 316	Buna Nitrile	10
B500-A	5"	Female Coupler by Male Thread	Aluminium	Buna Nitrile	10
B500-B	5"	Female Coupler by Male Thread	Brass	Buna Nitrile	10
B500-B-NPT	5"	Female Coupler by Male Thread	Brass	Buna Nitrile	10
B500-SS	5"	Female Coupler by Male Thread	Stainless Steel 316	Buna Nitrile	10
B500-SS-NPT	5"	Female Coupler by Male Thread	Stainless Steel 316	Buna Nitrile	10
B600-A	6"	Female Coupler by Male Thread	Aluminium	Buna Nitrile	10
B600-A-NPT	6"	Female Coupler by Male Thread	Aluminium	Buna Nitrile	10
B600-B	6"	Female Coupler by Male Thread	Brass	Buna Nitrile	10
B600-SS	6"	Female Coupler by Male Thread	Stainless Steel 316	Buna Nitrile	10

Part C Coupler with Hose Tail

C050-A	1/2"	Female Coupler by Hose Tail	Aluminium	Buna Nitrile	10
C050-B	1/2"	Female Coupler by Hose Tail	Brass	Buna Nitrile	9
C050-P	1/2"	Female Coupler by Hose Tail	Polypropylene	Santoprene	7
C050-SS	1/2"	Female Coupler by Hose Tail	Stainless Steel 316	Buna Nitrile	10
C075-A	3/4"	Female Coupler by Hose Tail	Aluminium	Buna Nitrile	10
C075-B	3/4"	Female Coupler by Hose Tail	Brass	Buna Nitrile	10
C075-P	3/4"	Female Coupler by Hose Tail	Polypropylene	Santoprene	7

Snaplock® Camlock Fittings Specifications

Code	Size	Connection	Material	Seal	Pressure
C075-SS	3/4"	Female Coupler by Hose Tail	Stainless Steel 316	Buna Nitrile	10
C100-A	1"	Female Coupler by Hose Tail	Aluminium	Buna Nitrile	10
C100-B	1"	Female Coupler by Hose Tail	Brass	Buna Nitrile	10
C100-P	1"	Female Coupler by Hose Tail	Polypropylene	Santoprene	7
C100-SS	1"	Female Coupler by Hose Tail	Stainless Steel 316	Buna Nitrile	10
C125-A	1 1/4"	Female Coupler by Hose Tail	Aluminium	Buna Nitrile	10
C125-B	1 1/4"	Female Coupler by Hose Tail	Brass	Buna Nitrile	10
C125-P	1 1/4"	Female Coupler by Hose Tail	Polypropylene	Santoprene	7
C125-SS	1 1/4"	Female Coupler by Hose Tail	Stainless Steel 316	Buna Nitrile	10
C150-A	1 1/2"	Female Coupler by Hose Tail	Aluminium	Buna Nitrile	10
C150-B	1 1/2"	Female Coupler by Hose Tail	Brass	Buna Nitrile	10
C150-P	1 1/2"	Female Coupler by Hose Tail	Polypropylene	Santoprene	7
C150-SS	1 1/2"	Female Coupler by Hose Tail	Stainless Steel 316	Buna Nitrile	10
C200-A	2"	Female Coupler by Hose Tail	Aluminium	Buna Nitrile	10
C200-B	2"	Female Coupler by Hose Tail	Brass	Buna Nitrile	10
C200-P	2"	Female Coupler with Hose Tail	Polypropylene	Buna Nitrile	7
C250-A	2 1/2"	Female Coupler by Hose Tail	Aluminium	Buna Nitrile	10
C250-B	2 1/2"	Female Coupler by Hose Tail	Brass	Buna Nitrile	10
C250-SS	2 1/2"	Female Coupler by Hose Tail	Stainless Steel 316	Buna Nitrile	10
C300-A	3"	Female Coupler by Hose Tail	Aluminium	Buna Nitrile	10
C300-B	3"	Female Coupler by Hose Tail	Brass	Buna Nitrile	10
C300-P	3"	Female Coupler by Hose Tail	Polypropylene	Santoprene	7
C300-SS	3"	Female Coupler by Hose Tail	Stainless Steel 316	Buna Nitrile	10
C400-A	4"	Female Coupler by Hose Tail	Aluminium	Buna Nitrile	10
C400-B	4"	Female Coupler by Hose Tail	Brass	Buna Nitrile	10
C400-P	4"	Female Coupler by Hose Tail	Polypropylene	Santoprene	7
C400-SS	4"	Female Coupler by Hose Tail	Stainless Steel 316	Buna Nitrile	10
C500-A	5"	Female Coupler by Hose Tail	Aluminium	Buna Nitrile	10
C500-SS	5"	Female Coupler by Hose Tail	Stainless Steel 316	Buna Nitrile	10
C600-A	6"	Female Coupler by Hose Tail	Aluminium	Buna Nitrile	10
C600-B	6"	Female Coupler by Hose Tail	Brass	Buna Nitrile	10
C600-SS	6"	Female Coupler by Hose Tail	Stainless Steel 316	Buna Nitrile	10

Snaplock® Camlock Fittings Specifications

Part D Coupler with Female Thread BSP or NPT					
Code	Size	Connection	Material	Seal	Pressure
D050-A	1/2"	Female Coupler by Female Thread	Aluminium	Buna Nitrile	10
D050-B	1/2"	Female Coupler by Female Thread	Brass	Buna Nitrile	10
D050-P	1/2"	Female Coupler by Female Thread	Polypropylene	Santoprene	10
D050-SS	1/2"	Female Coupler by Female Thread	Stainless Steel 316	Buna Nitrile	10
D050-SS-NPT	1/2"	Female Coupler by Female Thread	Stainless Steel 316	Buna Nitrile	10
D075-A	3/4"	Female Coupler by Female Thread	Aluminium	Buna Nitrile	10
D075-A-NPT	3/4"	Female Coupler by Female Thread	Aluminium	Buna Nitrile	10
D075-B	3/4"	Female Coupler by Female Thread	Brass	Buna Nitrile	10
D075-B-NPT	3/4"	Female Coupler by Female Thread	Brass	Buna Nitrile	10
D075-P	3/4"	Female Coupler by Female Thread	Polypropylene	Santoprene	7
D075-SS	3/4"	Female Coupler by Female Thread	Stainless Steel 316	Buna Nitrile	10
D075-SS-NPT	3/4"	Female Coupler by Female Thread	Stainless Steel 316	Buna Nitrile	10
D100-A	1"	Female Coupler by Female Thread	Aluminium	Buna Nitrile	10
D100-A-NPT	1"	Female Coupler by Female Thread	Aluminium	Buna Nitrile	10
D100-B	1"	Female Coupler by Female Thread	Brass	Buna Nitrile	10
D100-B-NPT	1"	Female Coupler by Female Thread	Brass	Buna Nitrile	10
D100-P	1"	Female Coupler by Female Thread	Polypropylene	Santoprene	7
D100-P-NPT	1"	Female Coupler by Female Thread	Polypropylene	Santoprene	7
D100-SS	1"	Female Coupler by Female Thread	Stainless Steel 316	Buna Nitrile	10
D100-SS-NPT	1"	Female Coupler by Female Thread	Stainless Steel 316	Buna Nitrile	10
D125-A	1 1/4"	Female Coupler by Female Thread	Aluminium	Buna Nitrile	10
D125-B	1 1/4"	Female Coupler by Female Thread	Brass	Buna Nitrile	10
D125-B-NPT	1 1/4"	Female Coupler by Female Thread	Brass	Buna Nitrile	10
D125-P	1 1/4"	Female Coupler by Female Thread	Polypropylene	Santoprene	7
D125-SS	1 1/4"	Female Coupler by Female Thread	Stainless Steel 316	Buna Nitrile	10
D125-SS-NPT	1 1/4"	Female Coupler by Female Thread	Stainless Steel 316	Buna Nitrile	10
D150-A	1 1/2"	Female Coupler by Female Thread	Aluminium	Buna Nitrile	10
D150-A-NPT	1 1/2"	Female Coupler by Female Thread	Aluminium	Buna Nitrile	10
D150-B	1 1/2"	Female Coupler by Female Thread	Brass	Buna Nitrile	10
D150-B-NPT	1 1/2"	Female Coupler by Female Thread	Brass	Buna Nitrile	10
D150-P	1 1/2"	Female Coupler by Female Thread	Polypropylene	Santoprene	7

Snaplock® Camlock Fittings Specifications

Code	Size	Connection	Material	Seal	Pressure
D150-P-NPT	1 1/2"	Female Coupler by Female Thread	Polypropylene	Santoprene	7
D150-SS	1 1/2"	Female Coupler by Female Thread	Stainless Steel 316	Buna Nitrile	10
D150-SS-NPT	1 1/2"	Female Coupler by Female Thread	Stainless Steel 316	Buna Nitrile	10
D200-A	2"	Female Coupler by Female Thread	Aluminium	Buna Nitrile	10
D200-A-NPT	2"	Female Coupler by Female Thread	Aluminium	Buna Nitrile	10
D200-B	2"	Female Coupler by Female Thread	Brass	Buna Nitrile	10
D200-B-NPT	2"	Female Coupler by Female Thread	Brass	Buna Nitrile	10
D200-P	2"	Female Coupler by Female Thread	Polypropylene	Santoprene	7
D200-P-NPT	2"	Female Coupler by Female Thread	Polypropylene	Santoprene	7
D200-SS	2"	Female Coupler by Female Thread	Stainless Steel 316	Buna Nitrile	10
D200-SS-NPT	2"	Female Coupler by Female Thread	Stainless Steel 316	Buna Nitrile	10
D250-A	2 1/2"	Female Coupler by Female Thread	Aluminium	Buna Nitrile	10
D250-B	2 1/2"	Female Coupler by Female Thread	Brass	Buna Nitrile	10
D250-B-NPT	2 1/2"	Female Coupler by Female Thread	Brass	Buna Nitrile	10
D250-SS	2 1/2"	Female Coupler by Female Thread	Stainless Steel 316	Buna Nitrile	10
D250-SS-NPT	2 1/2"	Female Coupler by Female Thread	Stainless Steel 316	Buna Nitrile	10
D300-A	3"	Female Coupler by Female Thread	Aluminium	Buna Nitrile	10
D300-A-NPT	3"	Female Coupler by Female Thread	Aluminium	Buna Nitrile	10
D300-B	3"	Female Coupler by Female Thread	Brass	Buna Nitrile	10
D300-B-NPT	3"	Female Coupler by Female Thread	Brass	Buna Nitrile	10
D300-P	3"	Female Coupler by Female Thread	Polypropylene	Santoprene	7
D300-SS	3"	Female Coupler by Female Thread	Stainless Steel 316	Buna Nitrile	10
D300-SS-NPT	3"	Female Coupler by Female Thread	Stainless Steel 316	Buna Nitrile	10
D400-A	4"	Female Coupler by Female Thread	Aluminium	Buna Nitrile	10
D400-A-NPT	4"	Female Coupler by Female Thread	Aluminium	Buna Nitrile	10
D400-B	4"	Female Coupler by Female Thread	Brass	Buna Nitrile	10
D400-B-NPT	4"	Female Coupler by Female Thread	Brass	Buna Nitrile	10
D400-P	4"	Female Coupler by Female Thread	Polypropylene	Santoprene	7
D400-P-NPT	4"	Female Coupler by Female Thread	Polypropylene	Santoprene	7
D400-SS	4"	Female Coupler by Female Thread	Stainless Steel 316	Buna Nitrile	10
D400-SS-NPT	4"	Female Coupler by Female Thread	Stainless Steel 316	Buna Nitrile	10
D500-A	5"	Female Coupler by Female Thread	Aluminium	Buna Nitrile	10

Snaplock® Camlock Fittings Specifications

Code	Size	Connection	Material	Seal	Pressure
D500-A-NPT	5"	Female Coupler by Female Thread	Aluminium	Buna Nitrile	10
D500-B	5"	Female Coupler by Female Thread	Brass	Buna Nitrile	10
D500-B-NPT	5"	Female Coupler by Female Thread	Brass	Buna Nitrile	10
D500-SS	5"	Female Coupler by Female Thread	Stainless Steel 316	Buna Nitrile	10
D500-SS-NPT	5"	Female Coupler by Female Thread	Stainless Steel 316	Buna Nitrile	10
D600-A	6"	Female Coupler by Female Thread	Aluminium	Buna Nitrile	10
D600-A-NPT	6"	Female Coupler by Female Thread	Aluminium	Buna Nitrile	10
D600-B	6"	Female Coupler by Female Thread	Brass	Buna Nitrile	10
D600-B-NPT	6"	Female Coupler by Female Thread	Brass	Buna Nitrile	10
D600-SS	6"	Female Coupler by Female Thread	Stainless Steel 316	Buna Nitrile	10
D600-SS-NPT	6"	Female Coupler by Female Thread	Stainless Steel 316	Buna Nitrile	10
Part DC Dust Cap					
DC050-A	1/2"	Dust Cap	Aluminium	Buna Nitrile	NA
DC050-B	1/2"	Dust Cap	Brass	Buna Nitrile	NA
DC050-SS	1/2"	Dust Cap	Stainless Steel 316	Buna Nitrile	NA
DC075-A	3/4"	Dust Cap	Aluminium	Buna Nitrile	NA
DC075-B	3/4"	Dust Cap	Brass	Buna Nitrile	NA
DC075-P	3/4"	Dust Cap	Polypropylene	Santoprene	NA
DC075-SS	3/4"	Dust Cap	Stainless Steel 316	Buna Nitrile	NA
DC100-A	1"	Dust Cap	Aluminium	Buna Nitrile	NA
DC100-B	1"	Dust Cap	Brass	Buna Nitrile	NA
DC100-P	1"	Dust Cap	Polypropylene	Santoprene	NA
DC100-SS	1"	Dust Cap	Stainless Steel 316	Buna Nitrile	NA
DC125-A	1 1/4"	Dust Cap	Aluminium	Buna Nitrile	NA
DC125-B	1 1/4"	Dust Cap	Brass	Buna Nitrile	7
DC125-SS	1 1/4"	Dust Cap	Stainless Steel 316	Buna Nitrile	NA
DC150-A	1 1/2"	Dust Cap	Aluminium	Buna Nitrile	NA
DC150-B	1 1/2"	Dust Cap	Brass	Buna Nitrile	NA
DC150-P	1 1/2"	Dust Cap	Polypropylene	Santoprene	NA
DC150-SS	1 1/2"	Dust Cap	Stainless Steel 316	Buna Nitrile	NA
DC200-A	2"	Dust Cap	Aluminium	Buna Nitrile	NA
DC200-B	2"	Dust Cap	Brass	Buna Nitrile	NA

Snaplock® Camlock Fittings Specifications

Code	Size	Connection	Material	Seal	Pressure
DC200-P	2"	Dust Cap	Polypropylene	Buna Nitrile	NA
DC200-SS	2"	Dust Cap	Stainless Steel 316	Buna Nitrile	NA
DC250-A	2 1/2"	Dust Cap	Aluminium	Buna Nitrile	NA
DC250-B	2 1/2"	Dust Cap	Brass	Buna Nitrile	NA
DC250-SS	2 1/2"	Dust Cap	Stainless Steel 316	Buna Nitrile	NA
DC300-A	3"	Dust Cap	Aluminium	Buna Nitrile	NA
DC300-B	3"	Dust Cap	Brass	Buna Nitrile	NA
DC300-P	3"	Dust Cap	Polypropylene	Buna Nitrile	NA
DC300-SS	3"	Dust Cap	Stainless Steel 316	Buna Nitrile	NA
DC400-A	4"	Dust Cap	Aluminium	Buna Nitrile	NA
DC400-B	4"	Dust Cap	Brass	Buna Nitrile	NA
DC400-P	4"	Dust Cap	Polypropylene	Santoprene	NA
DC400-SS	4"	Dust Cap	Stainless Steel 316	Buna Nitrile	NA
DC500-A	5"	Dust Cap	Aluminium	Buna Nitrile	10
DC500-B	5"	Dust Cap	Brass	Buna Nitrile	NA
DC500-SS	5"	Dust Cap	Stainless Steel 316	Buna Nitrile	NA
DC600-A	6"	Dust Cap	Aluminium	Buna Nitrile	NA
DC600-B	6"	Dust Cap	Brass	Buna Nitrile	NA
DC600-SS	6"	Dust Cap	Stainless Steel 316	Buna Nitrile	NA

Part DP Dust Plug

DP050-A	1/2"	Dust Plug	Aluminium	NA	NA
DP050-B	1/2"	Dust Plug	Brass	NA	10
DP050-SS	1/2"	Dust Plug	Stainless Steel 316	NA	10
DP075-A	3/4"	Dust Plug	Aluminium	NA	10
DP075-B	3/4"	Dust Plug	Brass	NA	NA
DP075-P	3/4"	Dust Plug	Polypropylene	NA	NA
DP075-SS	3/4"	Dust Plug	Stainless Steel 316	NA	NA
DP100-A	1"	Dust Plug	Aluminium	NA	NA
DP100-B	1"	Dust Plug	Brass	NA	NA
DP100-P	1"	Dust Plug	Polypropylene	NA	NA
DP100-SS	1"	Dust Plug	Stainless Steel 316	NA	NA
DP125-A	1 1/4"	Dust Plug	Aluminium	NA	NA

Snaplock® Camlock Fittings Specifications

Code	Size	Connection	Material	Seal	Pressure
DP125-B	1 1/4"	Dust Plug	Brass	NA	10
DP125-SS	1 1/4"	Dust Plug	Stainless Steel 316	NA	NA
DP150-A	1 1/2"	Dust Plug	Aluminium	NA	NA
DP150-B	1 1/2"	Dust Plug	Brass	NA	NA
DP150-P	1 1/2"	Dust Plug	Polypropylene	NA	NA
DP150-SS	1 1/2"	Dust Plug	Stainless Steel 316	NA	10
DP200-A	2"	Dust Plug	Aluminium	NA	NA
DP200-B	2"	Dust Plug	Brass	NA	NA
DP200-P	2"	Dust Plug	Polypropylene	NA	NA
DP200-SS	2"	Dust Plug	Stainless Steel 316	NA	NA
DP250-B	2 1/2"	Dust Plug	Brass	NA	NA
DP250-SS	2 1/2"	Dust Plug	Stainless Steel 316	NA	NA
DP300-A	3"	Dust Plug	Aluminium	NA	10
DP300-B	3"	Dust Plug	Brass	NA	10
DP300-P	3"	Dust Plug	Polypropylene	NA	NA
DP300-SS	3"	Dust Plug	Stainless Steel 316	NA	NA
DP400-A	4"	Dust Plug	Aluminium	NA	NA
DP400-B	4"	Dust Plug	Brass	NA	NA
DP400-P	4"	Dust Plug	Polypropylene	NA	NA
DP400-SS	4"	Dust Plug	Stainless Steel 316	NA	NA
DP500-A	5"	Dust Plug	Aluminium	NA	NA
DP500-B	5"	Dust Plug	Brass	NA	NA
DP500-SS	5"	Dust Plug	Stainless Steel 316	NA	NA
DP600-A	6"	Dust Plug	Aluminium	NA	NA
DP600-B	6"	Dust Plug	Brass	NA	NA
DP600-SS	6"	Dust Plug	Stainless Steel 316	NA	NA

Part E - Adaptor with Hose Tail

E050-A	1/2"	Male Adaptor by Hose Tail	Aluminium	NA	9
E050-B	1/2"	Male Adaptor by Hose Tail	Brass	NA	9
E050-P	1/2"	Male Adaptor by Hose Tail	Polypropylene	NA	5
E050-SS	1/2"	Male Adaptor by Hose Tail	Stainless Steel 316	NA	10
E075-A	3/4"	Male Adaptor by Hose Tail	Aluminium	NA	10

Snaplock® Camlock Fittings Specifications

Code	Size	Connection	Material	Seal	Pressure
E075-B	3/4"	Male Adaptor by Hose Tail	Brass	NA	10
E075-P	3/4"	Male Adaptor by Hose Tail	Polypropylene	NA	7
E075-SS	3/4"	Male Adaptor by Hose Tail	Stainless Steel 316	NA	10
E100-A	1"	Male Adaptor by Hose Tail	Aluminium	NA	10
E100-B	1"	Male Adaptor by Hose Tail	Brass	NA	10
E100-P	1"	Male Adaptor by Hose Tail	Polypropylene	NA	7
E100-SS	1"	Male Adaptor by Hose Tail	Stainless Steel 316	NA	10
E125-A	1 1/4"	Male Adaptor by Hose Tail	Aluminium	NA	10
E125-B	1 1/4"	Male Adaptor by Hose Tail	Brass	NA	10
E125-P	1 1/4"	Male Adaptor by Hose Tail	Polypropylene	NA	7
E125-SS	1 1/4"	Male Adaptor by Hose Tail	Stainless Steel 316	NA	10
E150-B	1 1/2"	Male Adaptor by Hose Tail	Brass	NA	10
E150-P	1 1/2"	Male Adaptor by Hose Tail	Polypropylene	NA	7
E150-SS	1 1/2"	Male Adaptor by Hose Tail	Stainless Steel 316	NA	10
E200-A	2"	Male Adaptor by Hose Tail	Aluminium	NA	10
E200-B	2"	Male Adaptor by Hose Tail	Brass	NA	10
E200-P	2"	Male Adaptor by Hose Tail	Polypropylene	NA	7
E200-SS	2"	Male Adaptor by Hose Tail	Stainless Steel 316	NA	10
E250-A	2 1/2"	Male Adaptor by Hose Tail	Aluminium	NA	10
E250-B	2 1/2"	Male Adaptor by Hose Tail	Brass	NA	10
E250-SS	2 1/2"	Male Adaptor by Hose Tail	Stainless Steel 316	NA	10
E300-A	3"	Male Adaptor by Hose Tail	Aluminium	NA	10
E300-B	3"	Male Adaptor by Hose Tail	Brass	NA	10
E300-P	3"	Male Adaptor by Hose Tail	Polypropylene	NA	4
E300-SS	3"	Male Adaptor by Hose Tail	Stainless Steel 316	NA	10
E400-A	4"	Male Adaptor by Hose Tail	Aluminium	NA	10
E400-B	4"	Male Adaptor by Hose Tail	Brass	NA	10
E400-P	4"	Male Adaptor by Hose Tail	Polypropylene	NA	4
E400-SS	4"	Male Adaptor by Hose Tail	Stainless Steel 316	NA	10
E500-A	5"	Male Adaptor by Hose Tail	Aluminium	NA	5
E500-B	5"	Male Adaptor by Hose Tail	Brass	NA	5
E500-SS	5"	Male Adaptor by Hose Tail	Stainless Steel 316	NA	9

Snaplock® Camlock Fittings Specifications

Code	Size	Connection	Material	Seal	Pressure
E600-B	6"	Male Adaptor by Hose Tail	Brass	NA	5
E600-SS	6"	Male Adaptor by Hose Tail	Stainless Steel 316	NA	9
Part F Adaptor with Male Thread BSP or NPT					
F050-A	1/2"	Male Adaptor by Male Thread	Aluminium	NA	10
F050-B	1/2"	Male Adaptor by Male Thread	Brass	NA	10
F050-P	1/2"	Male Adaptor by Male Thread	Polypropylene	NA	7
F050-P-NPT	1/2"	Male Adaptor by Male Thread	Polypropylene	NA	10
F050-SS	1/2"	Male Adaptor by Male Thread	Stainless Steel 316	NA	10
F050-SS-NPT	1/2"	Male Adaptor by Male Thread	Stainless Steel 316	NA	10
F050-SS-NT	1/2"	Male Adaptor by Weld End	Stainless Steel 316	NA	10
F075-A	3/4"	Male Adaptor by Male Thread	Aluminium	NA	10
F075-A-NPT	3/4"	Male Adaptor by Male Thread	Aluminium	NA	10
F075-B	3/4"	Male Adaptor by Male Thread	Brass	NA	10
F075-B-NPT	3/4"	Male Adaptor by Male Thread	Brass	NA	10
F075-P	3/4"	Male Adaptor by Male Thread	Polypropylene	NA	10
F075-SS	3/4"	Male Adaptor by Male Thread	Stainless Steel 316	NA	10
F075-SS-NPT	3/4"	Male Adaptor by Male Thread	Stainless Steel 316	NA	10
F075-SS-NT	3/4"	Male Adaptor by Weld End	Stainless Steel 316	NA	10
F100-A	1"	Male Adaptor by Male Thread	Aluminium	NA	10
F100-A-NPT	1"	Male Adaptor by Male Thread	Aluminium	NA	10
F100-B	1"	Male Adaptor by Male Thread	Brass	NA	10
F100-B-NPT	1"	Male Adaptor by Male Thread	Brass	NA	10
F100-P	1"	Male Adaptor by Male Thread	Polypropylene	NA	7
F100-P-NPT	1"	Male Adaptor by Male Thread	Polypropylene	NA	7
F100-SS	1"	Male Adaptor by Male Thread	Stainless Steel 316	NA	10
F100-SS-NPT	1"	Male Adaptor by Male Thread	Stainless Steel 316	NA	10
F100-SS-NT	1"	Male Adaptor by Weld End	Stainless Steel 316	NA	10
F125-A	1 1/4"	Male Adaptor by Male Thread	Aluminium	NA	10
F125-A-NPT	1 1/4"	Male Adaptor by Male Thread	Aluminium	NA	10
F125-B	1 1/4"	Male Adaptor by Male Thread	Brass	NA	10
F125-B-NPT	1 1/4"	Male Adaptor by Male Thread	Brass	NA	10
F125-P	1 1/4"	Male Adaptor by Male Thread	Polypropylene	NA	7

Snaplock® Camlock Fittings Specifications

Code	Size	Connection	Material	Seal	Pressure
F125-P-NPT	1 1/4"	Male Adaptor by Male Thread	Polypropylene	NA	7
F125-SS	1 1/4"	Male Adaptor by Male Thread	Stainless Steel 316	NA	10
F125-SS-NPT	1 1/4"	Male Adaptor by Male Thread	Stainless Steel 316	NA	10
F125-SS-NT	1 1/4"	Male Adaptor by Weld End	Stainless Steel 316	NA	10
F150-A	1 1/2"	Male Adaptor by Male Thread	Aluminium	NA	10
F150-A-NPT	1 1/2"	Male Adaptor by Male Thread	Aluminium	NA	10
F150-B	1 1/2"	Male Adaptor by Male Thread	Brass	NA	10
F150-B-NPT	1 1/2"	Male Adaptor by Male Thread	Brass	NA	10
F150-P	1 1/2"	Male Adaptor by Male Thread	Polypropylene	NA	7
F150-P-NPT	1 1/2"	Male Adaptor by Male Thread	Polypropylene	NA	7
F150-SS	1 1/2"	Male Adaptor by Male Thread	Stainless Steel 316	NA	10
F150-SS-NPT	1 1/2"	Male Adaptor by Male Thread	Stainless Steel 316	NA	10
F150-SS-NT	1 1/2"	Male Adaptor by Weld End	Stainless Steel 316	NA	10
F200-A	2"	Male Adaptor by Male Thread	Aluminium	NA	10
F200-A-NPT	2"	Male Adaptor by Male Thread	Aluminium	NA	10
F200-B	2"	Male Adaptor by Male Thread	Brass	NA	10
F200-B-NPT	2"	Male Adaptor by Male Thread	Brass	NA	10
F200-P	2"	Male Adaptor by Male Thread	Polypropylene	NA	7
F200-P-NPT	2"	Male Adaptor by Male Thread	Polypropylene	NA	7
F200-SS	2"	Male Adaptor by Male Thread	Stainless Steel 316	NA	10
F200-SS-NPT	2"	Male Adaptor by Male Thread	Stainless Steel 316	NA	10
F200-SS-NT	2"	Male Adaptor by Weld End	Stainless Steel 316	NA	10
F250-A	2 1/2"	Male Adaptor by Male Thread	Aluminium	NA	10
F250-A-NPT	2 1/2"	Male Adaptor by Male Thread	Aluminium	NA	7
F250-B	2 1/2"	Male Adaptor by Male Thread	Brass	NA	10
F250-B-NPT	2 1/2"	Male Adaptor by Male Thread	Brass	NA	10
F250-SS	2 1/2"	Male Adaptor by Male Thread	Stainless Steel 316	NA	10
F250-SS-NT	2 1/2"	Male Adaptor by Weld End	Stainless Steel 316	NA	10
F300-A	3"	Male Adaptor by Male Thread	Aluminium	NA	10
F300-A-NPT	3"	Male Adaptor by Male Thread	Aluminium	NA	10
F300-B	3"	Male Adaptor by Male Thread	Brass	NA	10
F300-B-NPT	3"	Male Adaptor by Male Thread	Brass	NA	10

Snaplock® Camlock Fittings Specifications

Code	Size	Connection	Material	Seal	Pressure
F300-P	3"	Male Adaptor by Male Thread	Polypropylene	NA	7
F300-P-NPT	3"	Male Adaptor by Male Thread	Polypropylene	NA	4
F300-SS	3"	Male Adaptor by Male Thread	Stainless Steel 316	NA	10
F300-SS-NPT	3"	Male Adaptor by Male Thread	Stainless Steel 316	NA	10
F300-SS-NT	3"	Male Adaptor by Weld End	Stainless Steel 316	NA	10
F400-A	4"	Male Adaptor by Male Thread	Aluminium	NA	10
F400-A-NPT	4"	Male Adaptor by Male Thread	Aluminium	NA	10
F400-B	4"	Male Adaptor by Male Thread	Brass	NA	10
F400-B-NPT	4"	Male Adaptor by Male Thread	Brass	NA	10
F400-P	4"	Male Adaptor by Male Thread	Polypropylene	NA	7
F400-SS	4"	Male Adaptor by Male Thread	Stainless Steel 316	NA	10
F400-SS-NPT	4"	Male Adaptor by Male Thread	Stainless Steel 316	NA	10
F500-A	5"	Male Adaptor by Male Thread	Aluminium	NA	10
F500-B	5"	Male Adaptor by Male Thread	Brass	NA	10
F500-SS	5"	Male Adaptor by Male Thread	Stainless Steel 316	NA	10
F600-A	6"	Male Adaptor by Male Thread	Aluminium	NA	10
F600-A-NPT	6"	Male Adaptor by Male Thread	Aluminium	NA	10
F600-B	6"	Male Adaptor by Male Thread	Brass	NA	10
F600-B-NPT	6"	Male Adaptor by Male Thread	Brass	NA	10
F600-SS	6"	Male Adaptor by Male Thread	Stainless Steel 316	NA	10

Snaplock® Handles Rings & Pins Specifications

Handles

Product Code	Description	Material	Size
HR050-BR	1/2" - 3/4" Snaplock Handle with Ring Brass	Brass	1/2" - 3/4"
HR050-SS	1/2" - 3/4" Snaplock Handle with Ring S/Steel	Stainless Steel 304	1/2" - 3/4"
HR100-BR	1" Snaplock Handle with Ring Brass	Brass	1"
HR100-SS	1" Snaplock Handle with Ring S/Steel	Stainless Steel 304	1"
HR200-BR	1 1/4" - 2 1/2" Snaplock Handle with Ring Brass	Brass	1 1/4" - 2 1/2"
HR200-SS	1 1/4" - 2 1/2" Snaplock Handle S/Steel	Stainless Steel 304	1 1/4" - 2 1/2"
HR300-BR	3" - 5" Snaplock Handle with Ring Brass	Brass	3" - 5"
HR300-SS	3" - 5" Snaplock Handle with Ring S/Steel	Stainless Steel 304	3" - 5"
HR600-BR	6" Snaplock Handle Brass	Brass	6"
HR600-SS	6" Snaplock Handle with Ring S/Steel	Stainless Steel 304	6"

Rings

R050-SS	1/2" - 1" Ring S/Steel	Stainless Steel 304	1/2" - 1"
R200-SS	1 1/4" - 3" Ring S/Steel	Stainless Steel 304	1 1/4" - 3"
R300-SS	3" - 5" Ring S/Steel	Stainless Steel 304	3" - 5"
R600-SS	3" - 6" Ring S/Steel	Stainless Steel 304	3" - 6"

Pins

P050	1/2" - 3/4" Knurled Pin SS	Stainless Steel 304	1/2"
P100	1" Knurled Pin S/Steel	Stainless Steel 304	1"
P200	1 1/4" - 2 1/2" Knurled Pin S/Steel	Stainless Steel 304	1 1/4" - 2 1/2"
P300	3" - 5" Knurled Pin S/Steel	Stainless Steel 304	3" - 5"
P600	6" Knurled Pin S/Steel	Stainless Steel 304	6"

Special Camlocks: Undercut DIN, Flanges, No Threads, Spiral Tail, RS Style

Code	Size	Thread	Material	Thread Seal	Coupler Seal	Bar
Part AU Snaplock Adaptor with Undercut Female Thread DIN 2817 Male Adaptor by Female Thread						
AU050-SS	1/2"	BSPP	Stainless Steel 316	PTFE	Nitrile	10 Bar
AU075-A	3/4"	BSPP	Aluminium	Vulkolan	Nitrile	10 Bar
AU075-SS	3/4"	BSPP	Stainless Steel 316	PTFE	Nitrile	10 Bar
AU100-A	1"	BSPP	Aluminium	Vulkolan	Nitrile	10 Bar
AU100-SS	1"	BSPP	Stainless Steel 316	PTFE	Nitrile	10 Bar
AU125-A	1 1/4"	BSPP	Aluminium	Vulkolan	Nitrile	10 Bar
AU125-SS	1 1/4"	BSPP	Stainless Steel 316	PTFE	Nitrile	10 Bar
AU150-A	1 1/2"	BSPP	Aluminium	Vulkolan	Nitrile	10 Bar
AU150-SS	1 1/2"	BSPP	Stainless Steel 316	PTFE	Nitrile	10 Bar
AU200-A	2"	BSPP	Aluminium	Vulkolan	Nitrile	10 Bar
AU200-SS	2"	BSPP	Stainless Steel 316	PTFE	Nitrile	10 Bar
AU250-A	2 1/2"	BSPP	Aluminium	Vulkolan	Nitrile	10 Bar
AU250-SS	2 1/2"	BSPP	Stainless Steel 316	PTFE	Nitrile	10 Bar
AU300-A	3"	BSPP	Aluminium	Vulkolan	Nitrile	10 Bar
AU300-SS	3"	BSPP	Stainless Steel 316	PTFE	Nitrile	10 Bar
AU400-A	4"	BSPP	Aluminium	Vulkolan	Nitrile	10 Bar
AU400-SS	4"	BSPP	Stainless Steel 316	PTFE	Nitrile	10 Bar

Part DU Snaplock Coupler with Undercut Female Thread DIN 2817 Female Coupler by Female Thread

DU050-SS	1/2"	BSPP	Stainless Steel 316	PTFE	Nitrile	10 Bar
DU075-A	3/4"	BSPP	Aluminium	Vulkolan	Nitrile	10 Bar
DU075-SS	3/4"	BSPP	Stainless Steel 316	PTFE	Nitrile	10 Bar
DU100-A	1"	BSPP	Aluminium	Vulkolan	Nitrile	10 Bar
DU100-SS	1"	BSPP	Stainless Steel 316	PTFE	Nitrile	10 Bar
DU125-A	1 1/4"	BSPP	Aluminium	Vulkolan	Nitrile	10 Bar
DU125-SS	1 1/4"	BSPP	Stainless Steel 316	PTFE	Nitrile	10 Bar
DU150-A	1 1/2"	BSPP	Aluminium	Vulkolan	Nitrile	10 Bar
DU150-SS	1 1/2"	BSPP	Stainless Steel 316	PTFE	Nitrile	10 Bar
DU200-A	2"	BSPP	Aluminium	Vulkolan	Nitrile	10 Bar
DU200-SS	2"	BSPP	Stainless Steel 316	PTFE	Nitrile	10 Bar
DU250-A	2 1/2"	BSPP	Aluminium	Vulkolan	Nitrile	10 Bar

Special Camlocks: Undercut DIN, Flanges, No Threads, Spiral Tail, RS Style

Code	Size	Thread	Material	Thread Seal	Coupler Seal	Bar
DU250-SS	2 1/2"	BSPP	Stainless Steel 316	PTFE	Nitrile	10 Bar
DU300-A	3"	BSPP	Aluminium	Vulkolan	Nitrile	10 Bar
DU300-SS	3"	BSPP	Stainless Steel 316	PTFE	Nitrile	10 Bar
DU400-A	4"	BSPP	Aluminium	Vulkolan	Nitrile	10 Bar
DU400-SS	4"	BSPP	Stainless Steel 316	PTFE	Nitrile	10 Bar
Part C Snaplock Adaptor DIN 2828 Smooth Hose Tail Smooth Tail Female Coupler by Hose Tail						
CRS075-SS	3/4"	NA	Stainless Steel 316	NA	Buna Nitrile	18 Bar
CRS100-SS	1"	NA	Stainless Steel 316	NA	Buna Nitrile	18 Bar
CRS125-SS	1 1/4"	NA	Stainless Steel 316	NA	Buna Nitrile	18 Bar
CRS150-SS	1 1/2"	NA	Stainless Steel 316	NA	Buna Nitrile	18 Bar
CRS200-SS	2"	NA	Stainless Steel 316	NA	Buna Nitrile	18 Bar
CRS250-SS	2 1/2"	NA	Stainless Steel 316	NA	Buna Nitrile	18 Bar
CRS300-SS	3"	NA	Stainless Steel 316	NA	Buna Nitrile	10 Bar
Part E Snaplock Coupler DIN 2828 Smooth Hose Tail Male Adaptor by Hose Tail						
ERS075-SS	3/4"	NA	Stainless Steel 316	NA	NA	18 Bar
ERS100-SS	1"	NA	Stainless Steel 316	NA	NA	18 Bar
ERS125-SS	1 1/4"	NA	Stainless Steel 316	NA	NA	18 Bar
ERS150-SS	1 1/2"	NA	Stainless Steel 316	NA	NA	18 Bar
ERS200-SS	2"	NA	Stainless Steel 316	NA	NA	18 Bar
ERS250-SS	2 1/2"	NA	Stainless Steel 316	NA	NA	18 Bar
ERS300-SS	3"	NA	Stainless Steel 316	NA	NA	18 Bar
Part F Male Adaptor by Butt Weld End						
F300-SS-NT	3"	Butt Weld End	Stainless Steel 316	NA	NA	10 Bar
F250-SS-NT	2 1/2"	Butt Weld End	Stainless Steel 316	NA	NA	10 Bar
F050-SS-NT	1/2"	Butt Weld End	Stainless Steel 316	NA	NA	10 Bar
F150-SS-NT	1 1/2"	Butt Weld End	Stainless Steel 316	NA	NA	10 Bar
F125-SS-NT	1 1/4"	Butt Weld End	Stainless Steel 316	NA	NA	10 Bar
F200-SS-NT	2"	Butt Weld End	Stainless Steel 316	NA	NA	10 Bar
F100-SS-NT	1"	Butt Weld End	Stainless Steel 316	NA	NA	10 Bar
F075-SS-NT	3/4"	Butt Weld End	Stainless Steel 316	NA	NA	10 Bar

Special Camlocks: Undercut DIN, Flanges, No Threads, Spiral Tail, RS Style

Part B Female Coupler with Butt Weld End

Code	Size	Thread	Material	Thread Seal	Coupler Seal	Bar
B050-SS-NT	1/2"	Butt Weld End	Stainless Steel 316	NA	Buna Nitrile	10 Bar
B075-SS-NT	3/4"	Butt Weld End	Stainless Steel 316	NA	Buna Nitrile	10 Bar
B100-SS-NT	1"	Butt Weld End	Stainless Steel 316	NA	Buna Nitrile	10 Bar
B125-SS-NT	1 1/4"	Butt Weld End	Stainless Steel 316	NA	Buna Nitrile	10 Bar
B150-SS-NT	1 1/2"	Butt Weld End	Stainless Steel 316	NA	Buna Nitrile	10 Bar
B200-SS-NT	2"	Butt Weld End	Stainless Steel 316	NA	Buna Nitrile	10 Bar
B250-SS-NT	2 1/2"	Butt Weld End	Stainless Steel 316	NA	Buna Nitrile	10 Bar

Part A Male Adaptor by Socket Weld End

A050-SS-NT	1/2"	Socket Weld End	Stainless Steel 316	NA	NA	10 Bar
A075-SS-NT	3/4"	Socket Weld End	Stainless Steel 316	NA	NA	10 Bar
A100-SS-NT	1"	Socket Weld End	Stainless Steel 316	NA	NA	10 Bar
A125-SS-NT	1 1/4"	Socket Weld End	Stainless Steel 316	NA	NA	10 Bar
A150-SS-NT	1 1/2"	Socket Weld End	Stainless Steel 316	NA	NA	10 Bar
A200-SS-NT	2"	Socket Weld End	Stainless Steel 316	NA	NA	10 Bar
A250-SS-NT	2 1/2"	Socket Weld End	Stainless Steel 316	NA	NA	10 Bar
A300-SS-NT	3"	Socket Weld End	Stainless Steel 316	NA	NA	10 Bar

Part D Female Coupler by Socket Weld End

D050-SS-NT	1/2"	Socket Weld End	Stainless Steel 316	NA	Buna Nitrile	10 Bar
D075-SS-NT	3/4"	Socket Weld End	Stainless Steel 316	NA	Buna Nitrile	10 Bar
D100-SS-NT	1"	Socket Weld End	Stainless Steel 316	NA	Buna Nitrile	10 Bar
D125-SS-NT	1 1/4"	Socket Weld End	Stainless Steel 316	NA	Buna Nitrile	10 Bar
D150-SS-NT	1 1/2"	Socket Weld End	Stainless Steel 316	NA	Buna Nitrile	10 Bar
D200-SS-NT	2"	Socket Weld End	Stainless Steel 316	NA	Buna Nitrile	10 Bar

